

PARTS CATALOG FOR ENGINE PART NUMBER

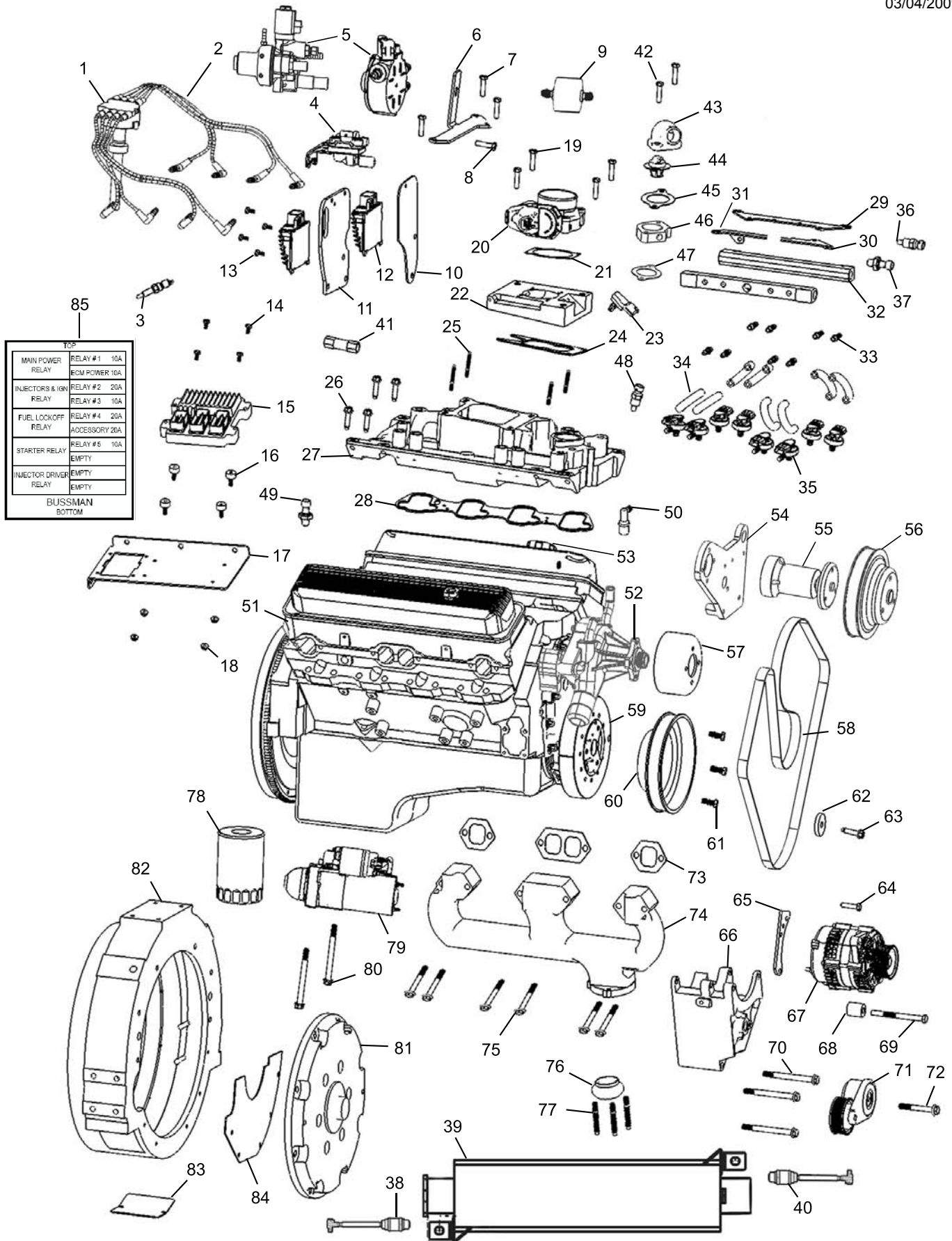
8-857-LP-RICO-1

&

9-857-LP-RICO-1

PT# RICO-857LP/CNG REV A

**KEM EQUIPMENT INC.
10800 SW HERMAN RD.
TUALATIN, OR 97062
503.692.5012**



NOTES	DESCRIPTION	YRS	QTY	PART NUMBER
1.	DISTRIBUTOR, IAFM	08-11	1	12570425
2.	WIRE, SPARK PLUG KIT	08-11	1	PC8066-GFI
3.	1 SPARK PLUG	08-11	8	12607234
4.	COIL, IGNITION	08-11	1	12568466
5.	2 REGULATOR, LPG	08-11	1	A7-434
	3 REGULATOR, CNG	08-11	1	2007-1030-1
6.	2 BRACKET, LPG REGULATOR	08-11	1	PC8038
7.	2 BOLT, LP REGULATOR BRACKET	08-11	3	BHM06C075
8.	2 BOLT, LP REGULATOR MOUNTING	08-11	1	M8C10HCSHZ
9.	2 FILTER, LPG	08-11	1	A3-514
	3 FILTER, CNG	08-11	1	A3-546
10.	BRACKET, INJECTOR DRIVER (LH)	08-11	1	PC8063
11.	BRACKET, INJECTOR DRIVER (RH)	08-11	1	PC8062
12.	MODULE, INJECTOR DRIVER	08-11	2	A7-331
13.	BOLT, INJECTOR DRIVER MOUNTING	08-11	2	M6C25HCF8Z
14.	BOLT, ECM MOUNTING	08-11	4	BHM04C100
15.	MODULE, ENGINE CONTROL (ECM)	08-11	1	12628090
16.	ISOLATOR, VIBRATION	08-11	4	M14-164050-P60
17.	BRACKET, ECM AND FUSE BOX	08-11	1	PC8024
18.	NUT, ECM MOUNTING	08-11	4	25CSFCNZ
19.	BOLT, THROTTLE BODY MOUNTING	08-11	4	M6C50SHCS
20.	BODY, THROTTLE	08-11	1	12616995
21.	GASKET, THROTTLE BODY TO SPACER	08-11	1	12606638
22.	PLATE, THROTTLE BODY SPACER	08-11	1	PC8037
23.	SENSOR, MAP	08-11	1	12568929
24.	GASKET, INTAKE TO SPACER	08-11	1	56A
25.	BOLT, ADAPTER PLATE MOUNTING	08-11	4	31C100SHCS
26.	BOLT, INTAKE MANIFOLD	08-11	8	12550027
27.	MANIFOLD, INTAKE	08-11	1	KM8036
28.	GASKET, INTAKE MANIFOLD	08-11	2	12550034

29.		BRACKET, FUEL INJECTION RAIL (LH)	08-11	1	PC9990
30.		BRACKET, FUEL INJECTION RAIL (RH) FRONT	08-11	1	PC8077-2
31.		BRACKET, FUEL INJECTION RAIL (RH) REAR	08-11	1	PC8077-1
32.		RAIL, FUEL INJECTION	08-11	2	PC9991
33.		FITTING, FUEL INJECTOR HOSE (9/32 ID)	08-11	8	125HBL-2-6
34.		HOSE, FUEL INJECTOR	08-11	8	AF-340
35.		INJECTOR, FUEL	08-11	8	A7-323
36.		SENSOR, FUEL TEMPERATURE	08-11	1	PG2559
37.	2	SENSOR, FUEL PRESSURE (LP FUEL SYSTEM)	08-11	1	12580698
	3	SENSOR, FUEL PRESSURE (CNG FUEL SYSTEM)	08-11	1	A7-473
38.		SENSOR, O2 (PRE-CATALYST)	08-11	1	12589321
39.		CATALYST	08-11	1	CM07-5724-H
40.		SENSOR, O2 (POST-CATALYST)	08-11	1	12589321
41.		THERMOSTAT, INLINE COOLANT	08-11	1	M-456
42.		BOLT, THERMOSTAT HOUSING	08-11	2	BHM06C200
43.		HOUSING, THERMOSTAT	08-11	1	PC7372
44.		THERMOSTAT, ENGINE COOLANT	08-11	1	4F800-001
45.		GASKET, THERMOSTAT	08-11	1	10105135
46.		SPACER, THERMOSTAT HOUSING	08-11	1	KM2079
47.		GASKET, THERMOSTAT	08-11	1	10105135
48.		SENSOR, COOLANT	08-11	1	25036979
49.		SENSOR, OIL	08-11	1	12574403
50.		VALVE, PCV	08-11	1	2-9210
51.		ENGINE, 5.7 BASE	08-11	1	94665642
52.		PUMP, WATER	08-11	1	12532528
53.		CAP, OIL FILL	08-11	1	10108650
54.		BRACKET, HIGH MOUNT FAN HUB	08-11	1	PC7747
55.		HUB, FAN	08-11	1	PC7571
56.		PULLEY, FAN	08-11	1	24502908
57.		PULLEY, WATER PUMP	08-11	1	12550053
58.		BELT, ALTERNATOR AND WATER PUMP DRIVE	08-11	1	25-06832

59.		BALANCER, HARMONIC	08-11	1	10243271
60.		PULLEY, CRANKSHAFT	08-11	1	10085754
61.		BOLT, CRANKSHAFT PULLEY	08-11	3	BHM06F100
62.		WASHER, CRANKSHAFT	08-11	1	82-14060682
63.		BOLT, CRANKSHAFT	08-11	1	BHM07F250
64.		BOLT, ALTERNATOR ADJUSTING	08-11	3	M8C20HCF8Z
65.		BRACKET, ALTERNATOR ADJUSTMENT	08-11	1	PC7106
66.		BRACKET, ALTERNATOR MOUNT	08-11	1	10236997
67.		ALTERNATOR	08-11	1	20-1142-31-1
68.		SPACER, ALTERNATOR MOUNT	08-11	1	SP07-100-025
69.		BOLT, ALTERNATOR	08-11	1	KM9007
70.		BOLT, ALTERNATOR MOUNT	08-11	3	12338064
71.		TENSIONER, BELT	08-11	1	10239670
72.		BOLT, TENSIONER	08-11	1	N/S
73.		GASKET, EXHAUST MANIFOLD	08-11	1	MS7110X
74.		MANIFOLD, EXHAUST	08-11	2	12552801
75.		BOLT, EXHAUST MANIFOLD	08-11	6	BHM06C200
76.		SEAL, EXHAUST	08-11	1	F17990
77.		STUD, EXHAUST	08-11	3	ST41/IND
78.		FILTER, OIL	08-11	1	PF-2
79.		MOTOR, STARTER	08-11	1	9000821
80.		BOLT, STARTER	08-11	2	12338064
81.		ADAPTER, DRIVE	08-11	1	PC7818
82.		BELLHOUSING, SAE # 3	08-11	1	PC7617
83.		COVER, BELLHOUSING INSPECTION	08-11	1	KM7198
84.		PLATE, BELLHOUSING BACKING	08-11	1	KM2186
85.		PANEL, BUSSMAN FUSE AND RELAY	08-11	1	N/S
		RELAY (SONG CHUAN 35A/20A)	08-11	5	301-1C-C-R1U01 12VDC
		FUSE 10AMP	08-11	4	10 AMP ATM
		FUSE 20AMP	08-11	3	20 AMP ATM
N/P	2	HARNESS, 5.7 MAIN ENGINE (LPG)	08-11	1	PC8051

3	HARNESS, 5.7 MAIN ENGINE (CNG)	08-11	1	PC8300
N/P	HARNESS, 5.7 CUSTOMER INTERFACE EXTENSION	08-11	1	PC8340

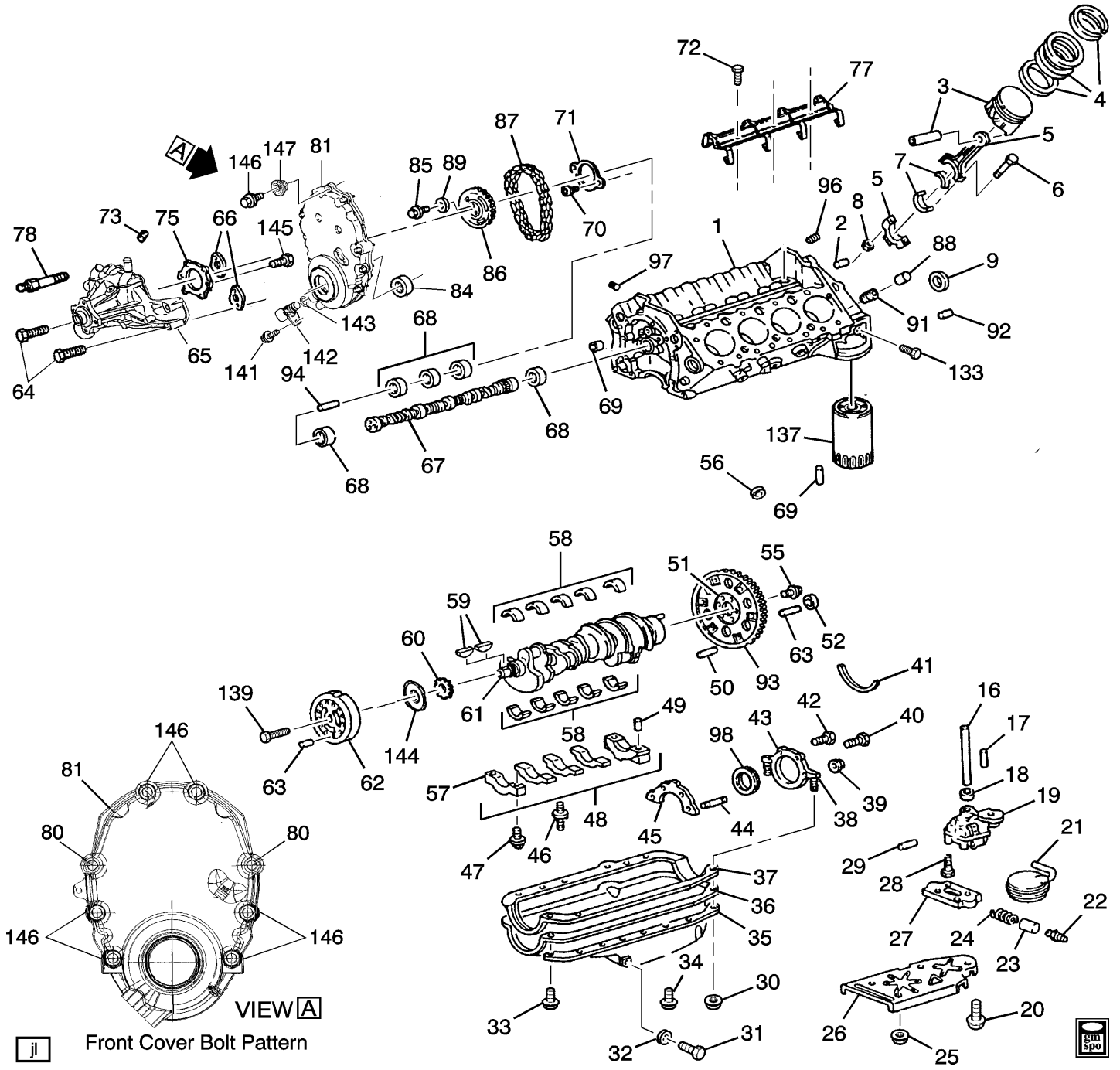
NOTE 1 SPARK PLUG GAP IS .040

NOTE 2 USED ON LPG ENGINES ONLY

NOTE 3 USED ON CNG ENGINES ONLY

NOTE 4 ENGINE SERIAL NUMBER REQUIRED TO ORDER THIS PART

ENGINE, GOODWRENCH
BLOCK, ENG 1



OM00-354

2006-2010 I ENGINE ASM-5.7L V8 PART 1 (350 CID)(LG9)

1.	0.033	ENGINE,(SERV PARTIAL)	06 - 10		
	0.033	BLOCK,ENG(W/PSTNS)	06 - 10		
	0.000	ENGINE,5.7 L(350 CID)MARINE(PHY ID 9ME)	09	I (LG9,EP2)	1 94670350
	0.000	ENGINE,5.7 L(350 CID)MARINE(7MH)(*45)	07	I (LG9,EP2)	1 94665645
2.	1.531	PLUG,ENG BLK OIL GAL(HEX SOC,1/4-18 THD,.69 LEN,1038,PC,DOG PT)(W/SEALANT)(* 1,44,45,46,47,48,49,50)(8.971)	06 - 07	I (LG9)	1 12338136
	1.531	PLUG,ENG BLK OIL GAL(HEX SOC,1/4-18 THD,.69 LEN,1038,PC,DOG PT)(W/SEALANT)(* 1,44,45,46,47,48,49,50)(8.971)	08	I (LG9)	1 12338136
	1.531	PLUG,ENG BLK OIL GAL(HEX SOC,1/4-18 THD,.69 LEN,1038,PC,DOG PT)(W/SEALANT)(* 1,44,45,46,47,48,49,50)(8.971)	09	I (LG9)	1 12338136
	1.531	PLUG,ENG BLK OIL GAL(HEX SOC,1/4-18 THD,.69 LEN,1038,PC,DOG PT)(W/SEALANT)(* 1,44,45,46,47,48,49,50)(8.971)	10	I (LG9)	1 12338136
3.	0.629	PISTON,(W/PIN)(*01,02,04,44,45,46,47,48,49,50) (0.127MM O.S.)	06 - 10	I (LG9)	8 88894281
	0.629	PISTON KIT,ENG(*01,02,04,44,45,46,47,48,49,50) (STD)	06 - 10	I (LG9)	8 88894280
	0.629	PISTON KIT,ENG(*01,02,04,44,45,46,47,48,49,50) (0.5MM O.S.)	06 - 10	I (LG9)	8 88894282
4.	0.643	RING KIT,PSTN(*01,02,04,44,45,46,47,48,49,50)(STD)	06 - 10	I (LG9)	8 12522848
	0.643	RING KIT,PSTN(*01,02,04,44,45,46,47,48,49,50)(0.50 MM O.S.)	06 - 10	I (LG9)	8 12524205
5.	0.603	ROD,CONN(*01,02,04,44,45,46,47,48,49,50)	06 - 10	I (LG9)	8 10108688
6.	0.623	BOLT,CONN ROD(*01,02,04,44,45,46,47,48,49,50) (PART OF 5)	06 - 10	I (LG9)	16 00461372
7.	0.616	BEARING KIT,CONN ROD(* 01,02,04,44,45,46,47,48,49,50)(STD)	06 - 10	I (LG9)	8 12523924
8.	0.626	NUT,CONN ROD(*01,02,04,44,45,46,47,48,49,50) (NOTE:MUST BE SPECIFIED TORQUE)(3/8-24)(HEX)	06 - 10	I (LG9)	16 03866766
9.	0.553	PLUG,CM/SHF RR BRG HOLE(* 01,02,04,44,45,46,47,48,49,50)(8.970)	06 - 10	I (LG9)	1 10241154
16.	1.639	SHAFT,O/PMP DRV(*01,02,04,44,45,46,47,48,49,50)	06 - 10	I (LG9)	1 03998287
17.	0.206	PIN,O/PMP LOC(*01,02,04,44,45,46,47,48,49,50) (1/4X5/8)(0.738)	06 - 10	I (LG9)	1 12554553
18.	1.639	RETAINER,O/PMP DRV SHF(* 01,02,04,44,45,46,47,48,49,50)	06 - 10	I (LG9)	1 03764554

19.	1.652	PUMP ,OIL(*01,02,04,44,45,46,47,48,49,50)(.742 DIA. TUBE)	06 - 10	I (LG9)	1	93442037
20.	1.652	BOLT ,O/PMP(*01,02,04,44,45,46,47,48,49,50)(7/16-14X2 3/8)	06 - 10	I (LG9)	1	10046007
21.	1.656	SCREEN ,O/PMP(*01,02,04,44,45,46,47,48,49,50)	06 - 10	I (LG9)	1	12550042
22.	1.609	PLUG ,OIL PRESS RLF VLV BORE(*01,44,45,46,47,48,49,50)(NON-THD 7/16 DIA,13/32)(CHAMFERED ENDS, STL)	06	I (LG9)	1	03704871
	1.609	PLUG ,OIL PRESS RLF VLV BORE(*01,45,46,48,49,50)(NON-THD 7/16 DIA,13/32)(CHAMFERED ENDS, STL)	07 - 10	I (LG9)	1	03704871
23.	1.609	VALVE ,OIL PRESS RLF(*01,44,45,46,48,49,50)	06	I (LG9)	1	03702366
	1.609	VALVE ,OIL PRESS RLF(*01,45,46,48,49,50)	07 - 10	I (LG9)	1	03702366
24.	1.609	SPRING ,OIL PRESS RLF VLV(*01,44,45,46,47,48,49,50)	06	I (LG9)	1	14024240
	1.609	SPRING ,OIL PRESS RLF VLV(*01,45,46,48,49,50)	07 - 10	I (LG9)	1	14024240
25.	0.648	NUT ,CR/SHF OIL DFL(*01,02,04,44,45,46,47,48,49,50)(HFH,3/8-16X.425,.8 DIA,GM301M,GM7111M,PREV TORQUE)(HEX 3/8-16)(8.917)	06 - 10	I (LG9)	5	09442946
26.	1.430	DEFLECTOR ,CR/SHF OIL(*01,02,04,45,47,48,49,50)	07 - 10	I (LG9)	1	12557231
	1.430	DEFLECTOR ,CR/SHF OIL(*01,44,44,45,46,48,49,50)	06 - 07	I (LG9)	1	12557231
27.	1.723	COVER ,O/PMP(*01,44,45,46,47,48,49,50)(INCLS COVER,PLUG,SPR,VLV)	06	I (LG9)	1	10168528
	1.723	COVER ,O/PMP(*01,45,46,48,49,50)(INCLS COVER,PLUG,SPR,VLV)	07 - 10	I (LG9)	1	10168528
28.	1.723	BOLT ,O/PMP CVR(*01,44,45,46,47,48,49,50)(HFH,M6X1X20,9.8,PZOR)(8.900)	06	I (LG9)	4	11508600
	1.723	BOLT ,O/PMP CVR(*01,45,46,48,49,50)(HFH,M6X1X20,9.8,PZOR)(8.900)	07 - 10	I (LG9)	4	11508600
29.	1.609	PIN ,OIL PRESS RLF VLV SPR ST	06 - 10			
30.	1.428	NUT ,OIL PAN(*01,02,04,44,45,46,47,48,49,50)(5/16-18X20,286M)(PHOSPHATE COATED)(8.917)	06 - 10	I (LG9)	4	01359887
31.	1.453	PLUG ,OIL PAN DRN	06 - 10			
	1.453	PLUG ,OIL PAN DRN(*01,02,04,44,45,46,47,48,49,50)(USE W/03536966 SEAL ONLY)(W/ SEAL)(EXC MAGNET)	06 - 10	I (LG9)	1	11562588
32.	1.456	GASKET ,OIL PAN DRN PLUG	06 - 10			
	1.456	SEAL ,OIL PAN DRN PLUG(O RING)(*01,02,04,44,45,46,47,48,49,50)	06 - 10	I (LG9)	1	03536966

33.	1.428	BOLT,OIL PAN(*01,02,04,44,45,46,47,48,49,50)(1/4-20 X 5/8,280M)(HFH,POR)(8.900)	06 - 10	I (LG9)	14	09440033
34.	1.428	BOLT,OIL PAN(*01,02,04,44,45,46,47,48,49,50)(1/4-20 X 5/8,280M)(HFH,POR)(8.900)	06 - 10	I (LG9)	14	09440033
35.	1.426	REINFORCEMENT,OIL PAN(*01,02,04,44,45,46,47,48,49,50)	06 - 10	I (LG9)	LH	12553058
	1.426	REINFORCEMENT,OIL PAN(*01,02,04,44,45,46,47,48,49,50)	06 - 10	I (LG9)	RH	12553059
36.	1.426	PAN,OIL(*01,44,45,49,50)	06 - 10	I (LG9)	1	10242245
	1.426	PAN,OIL(*02,04,46,47,48),(W/GASKET)(USE 10017615 FOR DRAIN PLUG)	06 - 10	I (LG9)	1	10242246
37.	1.429	GASKET,OIL PAN(*01,02,04,44,45,46,47,48,49,50)	06 - 10	I (LG9)	1	10108676
38.	0.137	STUD,CR/SHF RR OIL SEAL RET(PART OF 43)(5/16 X 18 X 1 43/64)(1.428)	06 - 08	I (LG9)	2	14080362
	0.137	STUD,CR/SHF RR OIL SEAL RET(PART OF 43)(5/16 X 18 X 1 43/64)(1.428)	09	I (LG9)	2	14080362
	0.137	STUD,CR/SHF RR OIL SEAL RET(PART OF 43)(5/16 X 18 X 1 43/64)(1.428)	10	I (LG9)	2	14080362
39.	0.137	NUT,CR/SHF RR OIL SEAL RET(*01,02,04,44,45,46,47,48,49,50)(HFX,1/4-20X.234,284M,69K,POR,240)(8.917)	06 - 10	I (LG9)	1	09439915
40.	0.137	BOLT,CR/SHF RR OIL SEAL HSG(1/4-20X1 3/4)	06 - 08	I (LG9)	1	14088562
	0.137	BOLT,CR/SHF RR OIL SEAL HSG(1/4-20X1 3/4)	09	I (LG9)	1	14088562
	0.137	BOLT,CR/SHF RR OIL SEAL HSG(1/4-20X1 3/4)	10	I (LG9)	1	14088562
41.	NS	SEAL,CR/SHF RR OIL			1	
42.	0.137	BOLT,CR/SHF RR OIL SEAL HSG(1/4-20X7/8)	06	I (LG9)	2	14088561
	0.137	BOLT,CR/SHF RR OIL SEAL HSG(01,44,45,46,47,48,49,50)(1/4-20X7/8)	07 - 09	I (LG9)	2	14088561
	0.137	BOLT,CR/SHF RR OIL SEAL HSG(1/4-20X7/8)	10	I (LG9)	2	14088561
43.	0.137	HOUSING,CR/SHF RR OIL SEAL(*01,02,04,44,45,46,47,48,49,50)	06 - 10	I (LG9)	1	12554312
44.	0.137	STUD,CR/SHF RR OIL SEAL RET(1/4-20 X 2 3/16)	06 - 08	I (LG9)	1	14101058
	0.137	STUD,CR/SHF RR OIL SEAL RET(1/4-20 X 2 3/16)	09	I (LG9)	1	14101058
	0.137	STUD,CR/SHF RR OIL SEAL RET(1/4-20 X 2 3/16)	10	I (LG9)	1	14101058
45.	0.137	GASKET,CR/SHF RR OIL SEAL HSG(*01,02,04,44,45,46,47,48,49,50)	06 - 10	I (LG9)	1	12555771
46.	0.056	STUD,CR/SHF BRG CAP(*01,02,04,44,45,46,47,48,49,50)(7/16-14; 3/8-14 FLG)	06 - 10	I (LG9)	AR	12561389

		END, STL)			
47.	0.056	BOLT,CR/SHF BRG CAP(*01)(7/16-14X3.34)	06 - 09	I (LG9)	10 12561388
	0.056	BOLT,CR/SHF BRG CAP(*01,02,45,47,48,49)(7/16-14X3.34)	09	I (LG9)	10 12561388
	0.056	BOLT,CR/SHF BRG CAP(*01,02,45,47,48,49,50)(7/16-14X3.34)	10	I (LG9)	10 12561388
	0.056	BOLT,CR/SHF BRG CAP(*02,44,45,46,47,48,49,50)(7/16-14X3.34)	06 - 09	I (LG9)	10 12561388
48.	DISCON	CAP,CR/SHF BRG(POSN #2,3,4)	06 - 09	I (LG9)	3 03956686
	DISCON	CAP,CR/SHF BRG(POSN #2,3,4)	10	I (LG9)	3 03956686
49.	0.137	PIN,CR/SHF RR OIL SEAL HSG LOC(*01,02,04,44,45,46,47,48,49,50)(SPRING TYPE S 7/16X9/16 STL ZP)(8.940)	06 - 10	I (LG9)	1 09441003
50.	0.669	PIN,FLYWHL LOC(3.686)	06 - 10	I (LG9)	1 10046031
51.	0.666	FLYWHEEL,ENG(*01,04,44,45,49,50),(HAS HARDENED RING GEAR TEETH)	06 - 10	I (LG9)	1 14088648
	0.666	FLYWHEEL,ENG(*02,46,47,48)	06 - 10	I (LG9)	1 14096020
52.	0.649	BEARING,CLU PILOT(*50)(.600 INCH ID, 1.096 OD, .720 INCH THK)	06 - 10	I (LG9)	1 14061685
55.	0.669	BOLT,FLYWHL(*01,02,04,44,45,46,47,48,49,50)(7/16-20X.97)	06 - 10	I (LG9)	6 00839756
56.	0.034	PLUG,ENG BLK CORE HOLE(*01,02,04,45,47,48,49,50)(BRASS),(41.4 MM)	09 - 10	I (LG9)	8 88891749
	0.034	PLUG,ENG BLK CORE HOLE(*01,44,45,46,47,48,49,50)(BRASS),(41.4 MM)	06 - 08	I (LG9)	8 88891749
	0.034	PLUG,ENG BLK CORE HOLE(*02,04)(BRASS),(41.4 MM)	08	I (LG9)	8 88891749
57.	DISCON	CAP,CR/SHF BRG(POS #1)	06 - 07	I (LG9)	1 03911011
	DISCON	CAP,CR/SHF BRG	08	I (LG9)	AR 03911011
	DISCON	CAP,CR/SHF BRG(POS #1)	09	I (LG9)	1 03911011
	DISCON	CAP,CR/SHF BRG(POS #1)	10	I (LG9)	1 03911011
58.	0.096	BEARING KIT,CR/SHF(#1,2,3,4)(*01,02,04,44,45,46,47,48,49,50)(.001 U.S./STD)(REPL 0.0006" U.S. BRG KIT)	06 - 09	I (LG9)	4 12531215
	0.096	BEARING KIT,CR/SHF(#1,2,3,4)(*01,02,04,45,47,48,49,50)(.001 U.S./STD)(REPL 0.0006" U.S. BRG KIT)	10	I (LG9)	4 12531215
	0.096	BEARING KIT,CR/SHF(#5)(LIPPED)(*01,02,04,45,47,48,49,50)(.001 U.S./STD)(REPL 0.0006" U.S. BRG KIT)	06 - 10	I (LG9)	1 12528826

		01,02,04,44,45,46,47,48,49,50)(.001 U.S.)(RR) (FEDERAL-MOGUL)(USED AS STD)			
59.	0.662	KEY,CR/SHF BALR(*01,02,04,44,45,46,47,48,49,50) (19.05MM X 4.75MM)(8.960)	06 - 10	I (LG9)	2 00106751
	0.662	KEY,CR/SHF PUL HUB	06 - 10		
60.	0.728	SPROCKET,CR/SHF(*01,02,04,44,45,46,47,48,49,50) (18 TEETH),(IS A ROLLER CHAIN)(.275/.285"TOOTH WIDTH)	06 - 10	I (LG9)	1 14088784
61.	0.646	CRANKSHAFT>(*01,02,04,44,45,46,47,48,49,50)	06 - 10	I (LG9)	1 10243068
62.	0.659	BALANCER,CR/SHF(*01,02,04,44,45,46,47,48,49,50)	06 - 10	I (LG9)	1 10243271
63.	0.685	PIN,TRANS LOC(*01,02,04,45,46,48,49,50)(5/8 X 1 3/16)(8.939)	06 - 10	I (LG9)	2 01453658
64.	1.079	BOLT,W/PMP(*01,02,04,44,45,46,47,48,49)(3/8-16 X 1 3/4 CAD)(HEX)(8.900)	06 - 10	I (LG9)	2 09439637
	1.079	BOLT,W/PMP(*01,02,04,44,45,46,47,48,49)(3/8- 16X2.75)(2.042)	06 - 10	I (LG9)	1 15991978
	1.079	BOLT,W/PMP(*50)(3/8-16 X 2 1/8),(LWR LH-UPR RH HOLES)	06 - 10	I (LG9)	4 12552096
65.	1.069	PUMP,WAT(*01,02,04,44,45,46,48,49),(INCLS PLUG,SEAL,COVER,GASKET)	06 - 09	I (LG9)	1 12594658
	1.069	PUMP KIT,WAT	06 - 10		
66.	1.079	GASKET,W/PMP(*01,02,04,44,45,46,47,48,49,50)	06 - 10	I (LG9)	2 03754587
67.	0.519	CAMSHAFT>(*02,04,44,46,45,46,47,48,49)	06 - 10	I (LG9)	1 14097395
	0.519	CAMSHAFT>(*50)	06 - 10	I (LG9)	1 10241264
68.	0.539	BEARING,CM/SHF(*01)(POSN #3-4)	06 - 09	I (LG9)	2 12453172
	0.539	BEARING,CM/SHF(*01)POS #2-5)	06 - 09	I (LG9)	2 12453171
	0.539	BEARING,CM/SHF(*01,02,04,44,45,46,47,48,49,50) (POSN #1)	06 - 10	I (LG9)	1 12453170
	0.539	BEARING,CM/SHF(*02,04)(POSN #3-4)	06 - 10	I (LG9)	2 12453172
	0.539	BEARING,CM/SHF(*02,04,44,45,46,47,48,49,50)POSN #2-5)	06 - 10	I (LG9)	2 12453171
	0.539	BEARING,CM/SHF(*44,45,46,47,48,49,50)(POSN #3-4)	06 - 10	I (LG9)	2 12453172
69.	1.531	PLUG,ENG BLK OIL GAL(* 01,02,04,44,45,46,47,48,49,50)(CUP,.57X.25,.025 HOLE IN CTR,1008,PL)	06 - 10	I (LG9)	2 10110897
	1.531	PLUG,ENG BLK OIL GAL(* 01,02,04,44,45,46,47,48,49,50)(HEX SOC,1/4-18 THD,.69 LEN,1038,PC,DOG PT)(W/SEALANT)(8.971)	06 - 10	I (LG9)	1 12338136

1.531	PLUG,ENG BLK OIL GAL(* 01,02,04,44,45,46,47,48,49,50)(CUP 15/32 X 5/16)	06 - 10 I (LG9)	1	14091563
1.531	PLUG,ENG BLK OIL GAL(*02,04,44,45,46,47)(3/8-18 NPTF DRY SEAL .46 LG,STL,PLAIN)(8.971)	06 - 10 I (LG9)	1	00444660
70. 0.529	BOLT,CM/SHF RET(*01,02,44,45,46,47,48,49,50)(1/4- 20X1/2, 15/32OD)(HEX SOC TORX)	06 - 10 I (LG9)	2	14093637
71. 0.529	RETAINER,CM/SHF(*01,02,04,44,45,46,47,48,49,50)	06 - 10 I (LG9)	1	10168501
72. 0.459	BOLT,VLV LFTR GDE RET(*01,44,45,46,47,48,49,50) (HEX,5/16-18X.635,CLASS 3A,0.492 THD,300M PC,MACH)(8.900),(USED W/120386 WASHER)	06 - 10 I (LG9)	3	24501365
73. 1.073	PLUG,W/PMP(*01,44,45,46,47,48,49)(SQ HD 3/4-14 NPT 1.06 LENGTH CAST IRON ZC)(8.971)	06 - 10 I (LG9)	AR	00143936
1.073	PLUG,W/PMP(*1,45,46,48,49,50)	07 - 10 I (LG9)	1	11569823
1.073	PLUG,HTR HOSE NIP HOLE(*44,45,46,47,48,49,50) (SQ HD FILL & DRN 1/2-14X0.610.) (PLAIN)(8.971)	06 - 07 I (LG9)	1	00444746
1.073	PLUG,HTR HOSE NIP HOLE(*44,45,46,47,48,49,50) (1/2-14X 39/64,STL,PE)(HEADLESS SQ SOC,USE W/SEALER #1052080)(8.971)	06 - 07 I (LG9)	1	25522466
75. 1.079	GASKET,W/PMP CVR(*01,02,04,44,45,46,47,48,49,50)	06 - 10 I (LG9)	1	12555493
77. 0.459	RETAINER,VLV LFTR GDE(* 01,02,04,44,45,46,47,48,49,50)(1 PC)(RESTRICTOR)	06 - 10 I (LG9)	1	14101116
78. 1.079	STUD,W/PMP(*01,02,04,44,45,46,47,48,49)(5/16-24 X 3/8-16 X 2 9/16)(1.073)	06 - 10 I (LG9)	RH	03759755
80. 0.206	BOLT,ENG FRT CVR(01,44,45,46,47,48,49,50)(USE GROMMET 10213294)(HWH 1/4-20 THD SHLD LEN 29/32)	06 - 07 (LG9)	2	12551135
0.206	BOLT,ENG FRT CVR(01,44,45,46,47,48,49,50)(HWH 1/4-20 THD SHLD LEN 29/32)	08 (LG9)	2	12551135
0.206	BOLT,ENG FRT CVR(01,44,45,46,47,48,49,50)(HWH 1/4-20 THD SHLD LEN 29/32)	09 (LG9)	2	12551135
81. 0.206	COVER,ENG FRT(*01,02,04,44,45,46,47,48,49,50) (LESS POINTER)(INCLS COVER SEAL)	06 - 10 I (LG9)	1	93800970
84. 0.213	SEAL,CR/SHF FRT OIL(*01,44,45,46,47,48,49,50) (61.5MM OD)(W/PART NUMBER STAMPING)	06 - 10 I (LG9)	1	10128316
85. 0.738	BOLT,CM/SHF SPKT(*01,02,04,44,45,46,47,48,49,50) (5/16-18 X 3/4, 300M)(HEX HD, STEEL)(8.900)	06 - 10 I (LG9)	3	09424877
86. NS	GEAR,CM/SHF(*KIT1)	I		
0.736	SPROCKET,CM/SHF(*01,02,04,44,45,46,47,48,49,50) (36 TEETH),(IS A ROLLER CHAIN)	06 - 10 I (LG9)	1	12552129

87.	0.724	CHAIN ,CM/SHF TMG(*01,02,04,44,45,46,47,48,49,50) (DIM 5.742 36 TEETH,DIM 2.884 18 TEETH),(IS A ROLLER CHAIN)(.275/.285")	06 - 10	I (LG9)	1	14088783
88.	1.531	PLUG ,ENG BLK OIL GAL(HEX SOC,1/4-18 THD,.69 LEN,1038,PC,DOG PT)(W/SEALANT)(8.971)	06 - 08	I (LG9)	1	12338136
	1.531	PLUG ,ENG BLK OIL GAL(HEX SOC,1/4-18 THD,.69 LEN,1038,PC,DOG PT)(W/SEALANT)(8.971)	09	I (LG9)	1	12338136
	1.531	PLUG ,ENG BLK OIL GAL(HEX SOC,1/4-18 THD,.69 LEN,1038,PC,DOG PT)(W/SEALANT)(8.971)	10	I (LG9)	1	12338136
89.	0.738	WASHER ,CM/SHF SPKT(5/16X5/8X1/16,ZP) (HARDENED)(8.929)	06 - 10	I (LG9)	3	02436162
91.	1.531	PLUG ,ENG OIL PRESS GA SEN OR IND SW HOLE (ENG OIL PRESS GA SEN OR IND SW HOLE)(HEX SOC,1/4-18 THD,.69 LEN,1038,PC,DOG PT) (W/SEALANT)(*44,45,46,47,48,49,50)(8.971)	06 - 08	I (LG9)	1	12338136
	1.531	PLUG ,ENG OIL PRESS GA SEN OR IND SW HOLE (ENG OIL PRESS GA SEN OR IND SW HOLE)(HEX SOC,1/4-18 THD,.69 LEN,1038,PC,DOG PT) (W/SEALANT)(*1,2,44,45,46,47,48,49,50)(8.971)	09	I (LG9)	1	12338136
	1.531	PLUG ,ENG OIL PRESS GA SEN OR IND SW HOLE (ENG OIL PRESS GA SEN OR IND SW HOLE)(HEX SOC,1/4-18 THD,.69 LEN,1038,PC,DOG PT) (W/SEALANT)(*1,2,44,45,46,47,48,49,50)(8.971)	10	I (LG9)	1	12338136
92.	0.685	PIN ,TRANS LOC(*01,02,04,45,46,48,49,50)(TRANS)(5/8 X 1 3/16)(8.939)	06 - 10	I (LG9)	2	01453658
93.	0.673	GEAR ,FLYWHL RING(*01,02,04,44,45,46,47,48,49,50)	06 - 10	I (LG9)	1	03991408
94.	0.738	PIN ,CM/SHF GR LOC(*44,45,46,47,48,49,50)(1/4X5/8)	06 - 10	I (LG9)	2	12554553
96.	0.034	PLUG ,ENG BLK COOL DRN HOLE(* 01,02,04,44,45,46,47,48,49,50)(USE W/12346004 SEALER;1/4-18X0.56 NPTF DRY SEAL)(1/4-18X0.56) (STEEL)(8.971)	06 - 10	I (LG9)	2	14084945
97.	0.034	PLUG ,ENG BLK COOL DRN HOLE(* 01,02,04,44,45,46,47,48,49,50)(USE W/12346004 SEALER;1/4-18X0.56 NPTF DRY SEAL)(1/4-18X0.56) (STEEL)(8.971)	06 - 10	I (LG9)	2	14084945
98.	0.137	SEAL ,CR/SHF RR OIL(*01,02,04,44,45,46,47,48,49,50) (PART OF 43)(FREUDENBERG-NOK)	06 - 10	I (LG9)	1	12554314
133.	1.531	PLUG ,ENG BLK OIL GAL(*01,02,44,45,46,47,48,49,50) (HEX SOC,1/4-18 THD,.69 LEN,1038,PC,DOG PT) (W/SEALANT)(8.971)	06 - 10	I (LG9)	1	12338136
	1.531	PLUG ,ENG BLK OIL GAL(*01,02,44,45,46,47,48,49,50) (AUTO DRAIN,INT SQ,3/8-18X.42 PEOR STL)(8.971)	06 - 10	I (LG9)	3	14090911
	1.531	PLUG ,ENG BLK OIL GAL(*01,02,45,47,48,49,50)(1/4- 18X0.56)(STEEL)(8.971),(1/4-18 NPTF DRY SEAL)	08 - 09	I (LG9)	2	14084945
	1.531	PLUG ,ENG BLK OIL GAL(*44,45,46,47,48,49,50)(1/4-	06 - 07	I (LG9)	2	14084945

		18X0.56)(STEEL)(8.971),(1/4-18 NPTF DRY SEAL)			
137.	1.836	FILTER,OIL	06 - 10		
139.	0.662	BOLT,CR/SHF BALR	06 - 10		
141.	2.383	BOLT,CR/SHF POSN SEN	06 - 10		
142.	2.383	SENSOR,CR/SHF POSN(*01)	06	I (LG9)	1 12596851
	2.383	SENSOR,CR/SHF POSN(*01,02)	08 - 09	I (LG9)	1 12596851
	2.383	SENSOR,CR/SHF POSN(*01,02,45,47,48,49,50)	10	I (LG9)	1 12596851
	2.383	SENSOR,CR/SHF POSN(*44,45,46,47,48,49,50)	06	I (LG9)	1 12596851
	2.383	SENSOR,CR/SHF POSN(*45,46,48,49,50)	07	I (LG9)	1 12596851
143.	2.383	SEAL,CR/SHF POSN SEN(O RING)(*01,02)	08 - 09	I (LG9)	1 10476885
	2.383	SEAL,CR/SHF POSN SEN(O RING)(*44,45,46,47,48,49,50)	06 - 07	I (LG9)	1 10476885
144.	2.383	RING,CR/SHF POSN SEN RELUCTOR(*01,02,04,44,45,46,47,48,49,50)	06 - 10	I (LG9)	1 10190917
145.	1.073	BOLT,W/PMP CVR(*1,2,45,46,47,48,50)(1/4-20X1/2,15/32OD)(HEX SOC TORX)(0.529)	07 - 10	I (LG9)	6 14093637
	1.073	BOLT,W/PMP CVR(*50)(1/4-20 X 1/2,1/8 THD)(300M,PC)(8.900)	06 - 10	I (LG9)	8 09442895
146.	0.206	BOLT,ENG FRT CVR(01,44,45,46,47,48,49,50)(HWH 1/4-20 THD SHLD LEN 29/32)	06 - 07	I (LG9)	6 12551135
	0.206	BOLT,ENG FRT CVR(01,44,45,46,47,48,49,50)(HWH 1/4-20 THD SHLD LEN 29/32)	08	I (LG9)	6 12551135
	0.206	BOLT,ENG FRT CVR(01,44,45,46,47,48,49,50)(HWH 1/4-20 THD SHLD LEN 29/32)	09	I (LG9)	6 12551135
	0.206	BOLT,ENG FRT CVR(01,44,45,46,47,48,49,50)(HWH 1/4-20 THD SHLD LEN 29/32)	10	I (LG9)	6 12551135
147.	0.206	GROMMET,ENG FRT CVR(*01,44,45,46,47,48,49,50)	06 - 09	I (LG9)	8 10213294

NOTE 01: 5.7L 350 CID MARINE ENG. 2006 94665228 (6MC),2007 94665230 (7MC),2008 94665232 (8MC),2009 94665644 (9MC),0000 94666419 (10MC),

NOTE 02: 5.7L 350 CID MARINE ENG. 2008 94667342 (8MD),2009 94667343 (9MD),0000 94667344 (10MD)

NOTE 44: 5.7L 350 CID MARINE ENG. 2006 93445620 (6MH),

NOTE 45: 5.7L 350 CID MARINE ENG. 2007 93445627 (7MH),2008 93803981 (8MH),2009 94605645 (9MH),0000 94666420 (10MH),

NOTE 46: 5.7L 350 CID MARINE ENG. 2006 93445621 (6MK),2007 93445629 (7MK),2008 93803982 (8MK)

NOTE 47: 5.7L 350 CID MARINE ENG. 2009 94665646 (9MK),0000 94666421 (10MK)

NOTE 48: 5.7L 350 CID MARINE ENG. 2006 93445624 (6ML),2007 93445632 (7ML),2008 93803983 (8ML),2009 94665647

(9ML),0000 94666422 (10ML),

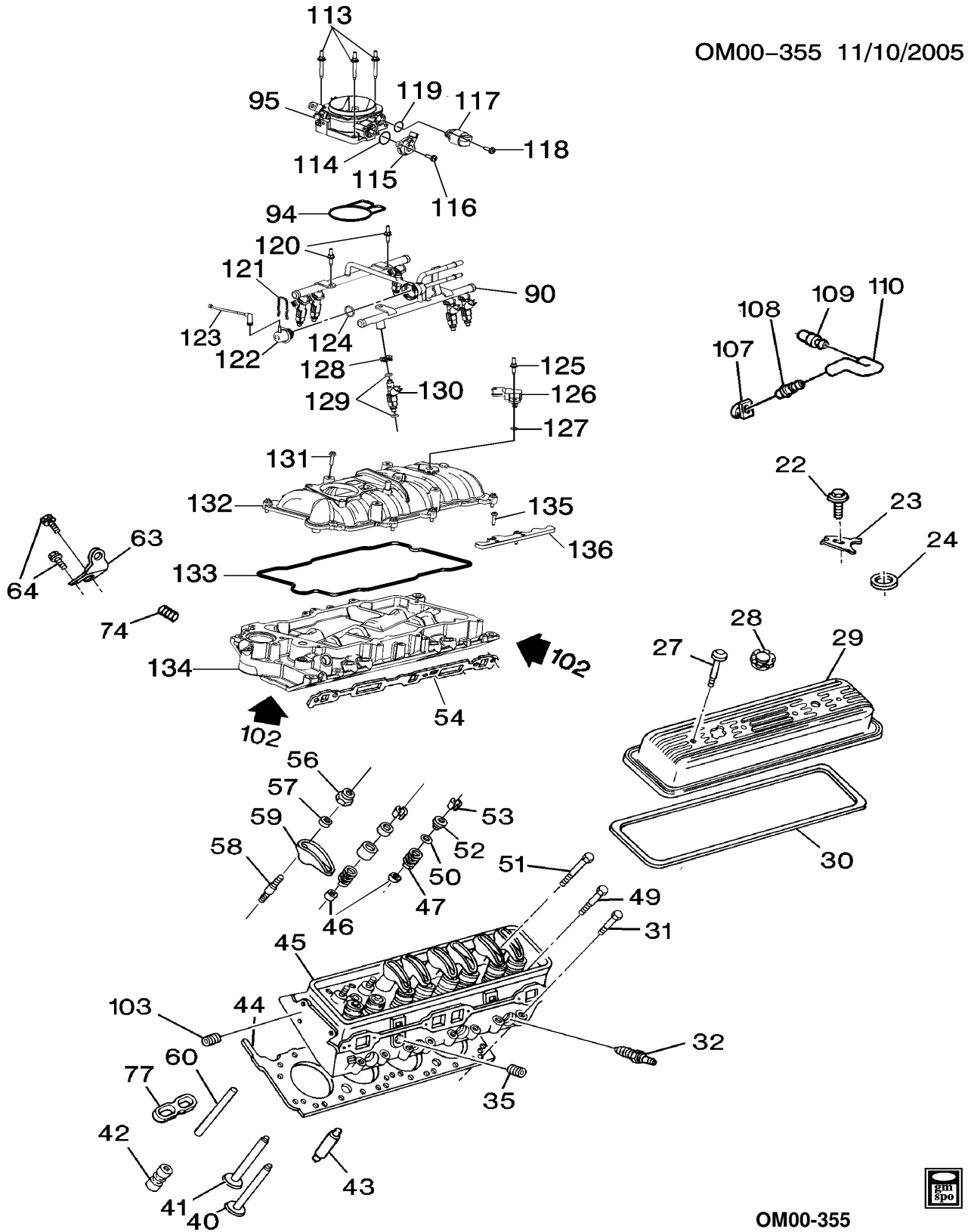
NOTE 49: 5.7L 350 CID MARINE ENG. 2006 93445623 (6MN),2007 93445631 (7MN),2008 93803984 (8MN),2009 94665948 (9MN),0000 94666423 (10MN),

NOTE 50: 5.7L 350 CID INDUSTRIAL ENG.2006 93445625 (6AH),2007 93445633 (7AH),2008 93803980 (8AH),2009 94665642 (9AH),0000 94666417 (10AH)

RPO DEFINITIONS

EP2 - MARINE(EP2)

LG9 - ENGINE,350 C.I.D.(5.7D),V8,OEM DIRECT SALES(MARINE)



2006-2010 I ENGINE ASM-5.7L V8 PART 2 (350 CID)(LG9)

OM00-355

22.	2.363	BOLT ,DISTR CLA(*2,04,45,46)(M8X1.25X1.25X22,19) (8.900)	07 - 10	I (LG9)	7	11570082
23.	2.363	CLAMP ,DISTR(*02,04,44,45,46,47)	06 - 10	I (LG9)	1	10096197
24.	2.363	GASKET ,DISTR(*02,04,44,45,46,47)	06 - 10	I (LG9)	1	10108445
27.	0.413	BOLT ,VLV RKR ARM CVR(* 01,02,04,44,45,46,47,48,49,50)(AT WASH)(HEX WA HEAD 1/4-20X3.42,.8 THD.5 OD,280 MAT,7111M,MACH,FLG)	06 - 10	I (LG9)	8	12338092
28.	1.758	CAP ,OIL FIL(*01,02,04,44,45,46,47,48,49,50)(97.5MM TUBE W/THREADED CAP)	06 - 10	I (LG9)	1	93439687
29.	0.386	COVER ,VLV RKR ARM(*01,02,04)	06 - 10	I (LG9)	LH	12555271
	0.386	COVER ,VLV RKR ARM(*01,02,04,44,45,46,47,48,49) (WHEN USED IN PLACE OF 14091637,10108650 MUST ALSO BE USED)	06 - 10	I (LG9)	RH	12555269
	0.386	COVER ,VLV RKR ARM(*44,45,46,47,48,49)	06 - 07	I (LG9)	LH	12555271
	0.386	COVER ,VLV RKR ARM(*45,46,48,49,50)	08 - 10	I (LG9)	LH	12555271
	0.386	COVER ,VLV RKR ARM(*50)	06 - 10	I (LG9)	RH	12555270
30.	0.423	GASKET ,VLV RKR ARM CVR(* 01,02,04,44,45,46,47,48,49,50)	06 - 10	I (LG9)	2	10046089
31.	0.293	BOLT ,CYL HD(7/16-14 X 1.62)(*44,45,46,47,49,20)	06	I (LG9)	16	10168527
	0.293	BOLT ,CYL HD(7/16-14 X 1.62)(*45,46,48,49,50)	07 - 08	I (LG9)	16	10168527
	0.293	BOLT ,CYL HD(7/16-14 X 1.62)(* 1,2,44,45,46,47,48,49,50)	09	I (LG9)	16	10168527
	0.293	BOLT ,CYL HD(7/16-14 X 1.62)(* 1,2,44,45,46,47,48,49,50)	10	I (LG9)	16	10168527
32.	2.270	SPARK PLUG ,(*01,02,04,44,45,46,47,48,49,50)(DO NOT CHANGE SPARK PLUG GAP)	06 - 10	I (LG9)	8	12607234
35.	0.293	PLUG ,CYL HD CORE HOLE(AUTO DRAIN,INT SQ,3/8- 18X.42 PEOR STL)(8.971)	06 - 10	I (LG9)	1	14090911
	0.293	PLUG ,CYL HD CORE HOLE(* 01,02,04,44,45,46,47,48,49,50)(8.971)	06 - 10	I (LG9)	AR	00444662
40.	0.296	VALVE ,INT(*01,02,04,44,45,46,47,48,49,50)(STD)	06 - 10	I (LG9)	8	10241743
	0.296	VALVE ,INT(*44,45,46,47,48,49,50)(STD)	06 - 08	I (LG9)	8	10241743
41.	0.297	VALVE ,EXH(*01,02,04,44,45,46,47,48,49)(STD)	06 - 10	I (LG9)	8	12550909
	0.297	VALVE ,EXH(*50)(STD)	06 - 10	I (LG9)	8	12552289
42.	0.459	LIFTER ,VLV(RLR)(*01,02,04,44,45,46,47,48,49,50)	06 - 10	I (LG9)	16	17120735
43.	0.293	PIN ,CYL HD LOC(*01,02,04,44,45,46,47,48,49,50) (5/16X9/16 STL)(8.939)	06 - 10	I (LG9)	8	00585927
44.	0.289	GASKET ,CYL HD(*01,02,04,45,47,48,49)	09 - 10	I (LG9)	2	14096405

	0.289	GASKET,CYL HD(*01,44,45,46,47,48,49)	06 - 08	I (LG9)	2	14096405
	0.289	GASKET,CYL HD(*50)	06 - 10	I (LG9)	2	10105117
	0.289	GASKET KIT,CYL HD	06 - 10			
45.	0.269	HEAD,CYL(*01,02,04,44,45,46,47,48,49)(INCLS HD,EXH SEATS,RKR STUDS)	06 - 09	I (LG9)	2	12528913
	0.269	HEAD,CYL(*01,02,04,45,47,48,49)(INCLS HD,EXH SEATS,RKR STUDS)	10	I (LG9)	2	12528913
	0.269	HEAD,CYL(*50)(W/STUDS)	06 - 10	I (LG9)	2	12529509
46.	0.308	SEAL,INT VLV STEM OIL(*01,02,04,44,45,46,47,48,49,50)	06 - 10	I (LG9)	8	10212810
	0.308	SEAL,EXH VLV STEM OIL	06 - 10			
47.	0.303	SPRING,VLV(*01,02,04,44,45,46,47,48,49,50)(W/O DPNR)	06 - 10	I (LG9)	16	10212811
49.	0.293	BOLT,CYL HD(MEDIUM)(7/16-14 X 3 1/16, 300M)	06 - 08	I (LG9)	4	10168526
	0.293	BOLT,CYL HD(MEDIUM)(7/16-14 X 3 1/16, 300M)	09	I (LG9)	4	10168526
	0.293	BOLT,CYL HD(MEDIUM)(7/16-14 X 3 1/16, 300M)	10	I (LG9)	4	10168526
50.	0.308	SEAL,VLV STEM OIL	06 - 10			
	0.308	SEAL,VLV STEM OIL	06 - 10			
	0.308	SEAL,INT VLV STEM OIL(*01,02,04,44,45,46,47,48,49,50)	06 - 10	I (LG9)	8	10212810
	0.308	SEAL,EXH VLV STEM OIL(*01,02,04,44,45,46,47,48,49,50)	06 - 10	I (LG9)	8	12564852
51.	0.293	BOLT,CYL HD(LONG)(7/16-14 X 3 51/64, 300M)(*1,44,45,46,47,48,49,50)	06 - 07	I (LG9)	14	10168525
	0.293	BOLT,CYL HD(LONG)(7/16-14 X 3 51/64, 300M)(*1,2,45,47,48,49,50)	08	I (LG9)	14	10168525
	0.293	BOLT,CYL HD(LONG)(7/16-14 X 3 51/64, 300M)(*1,2,45,47,48,49,50)	09	I (LG9)	14	10168525
52.	0.309	CAP,VLV SPR(*01,02,04,44,45,46,47,48,49,50)	06 - 10	I (LG9)	16	10241744
53.	0.310	KEY,VLV STEM(*01,02,04,44,45,46,47,48,49,50)	06 - 10	I (LG9)	32	24503856
54.	3.270	GASKET KIT,INT MANIF(*02,04,44,45,46,47)(INCLS:GASKET,INSTRUCTION SHEET)	06 - 10	I (LG9)	1	89017465
	3.270	GASKET,UPR INT MANIF(*44,45,46,47)	06 - 10	I (LG9)	8	12568088
56.	0.429	NUT,VLV RKR ARM(*01,02,04,44,45,46,47,48,49,50)(3/8-24)	06 - 10	I (LG9)	16	12557390
57.	NS	BALL,VLV RKR ARM(PART OF ITEM #59)				
58.	0.429	STUD,VLV RKR ARM BALL(.003" O.S.)(*01,02,04,44,45,46,47,48,49,50)	06 - 10	I (LG9)	16	03814692

	0.429	STUD ,VLV RKR ARM BALL(.013" O.S.)(*01,02,04,44,45,46,47,48,49,50)	06 - 10 I (LG9)	16	03815892
59.	0.333	ARM KIT ,VLV RKR(*01,02,04,44,45,46,47,48,49,50) (W/ARM,BALL,NUT)(INCL ITEMS #57)(STD THREADS) (INCLS ARM, BALL & NUT)	06 - 10 I (LG9)	16	10089648
60.	0.426	ROD ,VLV PUSH(*01,02,04,44,45,46,47,48,49,50) (INCLS INSERT)	06 - 10 I (LG9)	16	10241740
63.	NS	BRACKET ,ENG LIFT FRT			
64.	NS	BOLT ,INT MANIF(1.25 LG)	(LG9)	6	
74.	1.073	PLUG ,HTR HOSE NIP HOLE(*44,45,46,47,48,49,50) (SQ HD FILL & DRN 1/2-14X0.610.) (PLAIN)(8.971)	06 - 07 I (LG9)	1	00444746
	1.073	PLUG ,HTR HOSE NIP HOLE(*44,45,46,47,48,49,50) (1/2-14X 39/64,STL,PE)(HEADLESS SQ SOC,USE W/SEALER #1052080)(8.971)	06 - 07 I (LG9)	1	25522466
77.	0.439	GUIDE ,VLV LFTR PUSH ROD	06 - 10		
	0.439	GUIDE ,VLV LFTR(*01,02,04,44,45,46,47,48,49,50)	06 - 10 I (LG9)	8	12550002
90.	3.330	RAIL ,SEQ M/PORT F/INJN FUEL(*44,45,46,47)	06 - 07 I (LG9)	1	88894337
	DISCON	RAIL ,SEQ M/PORT F/INJN FUEL(*45,46),(INCLS INJECTOR)	07 I (LG9)	1	12602324
	3.330	RAIL ,SEQ M/PORT F/INJN FUEL(*45,46)	08 I (LG9)	1	88894337
	3.330	RAIL ,SEQ M/PORT F/INJN FUEL(*45,47)	09 I (LG9)	1	88894337
	3.330	RAIL ,F/INJN FUEL(*45,46),(EXC INJECTOR)	07 - 08 I (LG9)	1	12602332
	3.330	RAIL ,F/INJN FUEL(*45,47),(EXC INJECTOR)	09 I (LG9)	1	12602332
94.	3.336	GASKET ,THROT BODY(*02,04)	08 - 10 I (LG9)	1	12606638
	3.336	GASKET ,THROT BODY(*44,45,46,47)	06 - 10 I (LG9)	1	12570362
95.	3.335	BODY ,THROT(*02,04)	08 - 10 I (LG9)	1	12602325
	3.335	BODY ,THROT(*44,45,46,47)	06 - 07 I (LG9)	1	12567904
	3.335	BODY ,THROT(*45,46,47)	07 - 10 I (LG9)	1	12602329
102.	8.800	SEALER ,INT MANIF	06 - 08 I (LG9)	AR	12346141
	8.800	SEALER ,INT MANIF	09 I (LG9)	AR	12346141
103.	0.293	PLUG ,CYL HD CORE HOLE(AUTO DRAIN,INT SQ,3/8- 18X.42 PEOR STL)(8.971)	06 - 08 I (LG9)	AR	14090911
	0.293	PLUG ,CYL HD CORE HOLE(AUTO DRAIN,INT SQ,3/8- 18X.42 PEOR STL)(8.971)	09 I (LG9)	AR	14090911
	0.293	PLUG ,CYL HD CORE HOLE(AUTO DRAIN,INT SQ,3/8- 18X.42 PEOR STL)(8.971)	10 I (LG9)	AR	14090911
107.	1.745	GROMMET ,PCV VLV(*02,04,44,45,46,47)(23/32 ID-1 3/16 OD)	06 - 10 I (LG9)	AR	03989350

108.	1.745	VALVE,PCV(*02,44,45,46,47)(STRAIGHT FITTING HIGH FLOW 5.2 CFM *01)	06 - 10	I (LG9)	1	06487532
109.	1.745	CONNECTOR,PCV VLV HOSE(*02,04,44,45,46,47)(1.762),(THIS CONNECTOR IS USED NEXT TO PCV VALVE)	06 - 10	I (LG9)	2	10124635
	1.745	CONNECTOR,PCV VLV HOSE(*02,04,44,45,46,47)(THIS CONNECTOR IS USED OPPOSITE SIDE OF PCV VALVE)(1.762)	06 - 10	I (LG9)	1	12570156
110.	1.762	HOSE,PCV VLV	06 - 10			
	1.762	HOSE,PCV(*02,04,44,45,46,47),(INCLS ELBOW,CONNECTOR,VALVE--PCV--(HOSE KIT*PCV)	06 - 10	I (LG9)	1	12571807
113.	3.336	STUD,THROT BODY(*02,04)	08 - 10	I (LG9)	4	12602327
	3.336	STUD,THROT BODY(*44,45,46,47)(M6X1X33,M6X1X12,57TL)	06 - 10	I (LG9)	1	17123585
114.	3.336	SEAL,IDLE AIR C/VLV(O RING)	06 - 10			
115.	3.339	SENSOR,THROT POSN	06 - 10			
116.	NS	BOLT,THROT POSN SEN(PART OF 95)				
117.	3.820	VALVE,IDLE AIR CONT(*44,45,46,47)	06 - 07	I (LG9)	1	88893284
118.	NS	BOLT,IDLE AIR C/VLV HSG(PART OF 95)				
119.	NS	SEAL,IDLE AIR C/VLV(O RING)(PART OF 95)				
120.	3.330	STUD,F/INJN FUEL RL(*02,04,44,45,46,47)	06 - 10	I (LG9)	4	12554211
121.	3.330	CLIP,FUEL PRESS REG PIPE(*02,04,45,46,47)	07 - 10	I (LG9)	1	12602331
	3.330	CLIP,FUEL PRESS REG PIPE(*44,45,46,47)	06 - 07	I (LG9)	8	12458111
122.	3.330	REGULATOR,FUEL PRESS(*02,04,45,47)	08 - 10	I (LG9)	1	12568878
	3.330	REGULATOR,FUEL PRESS(*44,45,46,47)	06 - 07	I (LG9)	8	12568878
123.	3.330	HOSE,FUEL PRESS REG VAC(*02,04,45,46,47)	07 - 10	I (LG9)	1	12570365
124.	NS	SEAL,FUEL PRESS REG (O RING)(PART OF 122)				
125.	3.682	STUD,MAP SEN(*02,04,44,45,46,47)(3.330)	06 - 10	I (LG9)	1	12554211
126.	3.682	SENSOR,MAP(*02,04,44,45,46,47)	06 - 10	I (LG9)	1	12568929
127.	3.682	SEAL,MAP SEN(*02,04,44,45,46,48)	06 - 10	I (LG9)	1	88894205
128.	3.332	RETAINER,F/INJR(*44,45,46,47)(PART OF 130)	06 - 07	I (LG9)	8	12554679
	3.332	RETAINER,F/INJR(*45,46)(PART OF 130)	08	I (LG9)	8	24503227
	3.332	RETAINER,F/INJR(*45,47)(PART OF 130)	09	I (LG9)	8	24503227
129.	NS	SEAL,F/INJR(O RING)(PART OF 130)				
130.	3.300	INJECTOR,SEQ M/PORT FUEL(*44,45,46,47)(INCLS 128,129)	06 - 07	I (LG9)	8	12567905
	3.300	INJECTOR,SEQ M/PORT FUEL(*45,46)(INCLS	08	I (LG9)	6	12609192

	128,129)				
3.300	INJECTOR,SEQ M/PORT FUEL(*45,47)(INCLS 128,129)	09	I (LG9)	6	12609192
131. 3.275	BOLT,INT MANIF(*02,04,41,45,46,47)(M6X1.0X25.0 FLG HD)(8.900)	06 - 10	I (LG9)	4	22539278
3.275	BOLT,INT MANIF(*02,04,44,45,46,47)(5/16-18X1.75,280M)	06 - 10	I (LG9)	8	12550027
3.275	BOLT,INT MANIF(*02,04,44,45,46,47)(M6X1.0X25.0 FLG HD)(8.900)	06 - 10	I (LG9)	8	22539278
132. 3.265	MANIFOLD,UPR INT(*2,04)	08 - 10	I (LG9)	1	12600534
3.265	MANIFOLD,UPR INT(*44,45,46,47)	06 - 10	I (LG9)	1	12568087
133. 3.270	GASKET,UPR INT MANIF(*44,45,46,47)	06 - 10	I (LG9)	8	12568088
134. 3.265	MANIFOLD,LWR INT(*2,04,45,47)	08 - 10	I (LG9)	1	94667101
3.265	MANIFOLD,LWR INT(*44,45,46,47)	06 - 07	I (LG9)	1	12567900
135. NS	BOLT,INT MAN BRKT				
136. NS	BRACKET,INT MANIF				

NOTE 01: 5.7L 350 CID MARINE ENG.2006 94665228 (6MC),2007 94665230 (7MC),2008 94665232 (8MC),2009 94665644 (9MH),0000 94666419 (10MC),

NOTE 02: 5.7L 350 CID MARINE ENG.2008 94667342 (8MD),2009 94667343 (9MD),0000 94667344 (10MD)

NOTE 44: 5.7L 350 CID MARINE ENG. 2006 93445620 (6MH),

NOTE 45: 5.7L 350 CID MARINE ENG. 2007 93445627(7MH),2008 93803981 (8MH),2009 94665645 (9MH),2009 94666420 (10MH),

NOTE 46: 5.7L 350 CID MARINE ENG. 2006 93445621 (6MK),2007 93445629 (7MK),2008 93803982 (8MK)

NOTE 47: 5.7L 350 CID MARINE ENG. 2009 94665646 (9MK),0000 94666421 (10MK)

NOTE 48: 5.7L 350 CID MARINE ENG. 2006 93445624 (6ML),2007 93445632 (7ML),2008 93803983 (8ML),2009 94665647(9ML),0000 94666422 (10ML),

NOTE 49: 5.7L 350 CID MARINE ENG. 2006 93445623 (6MN),2007 93445631 (7MN),2008 93803984 (8MN),2009 94665648(9MN),0000 94666423 (10MN),

NOTE 50: 5.7L 350 CID INDUSTRIAL ENG.2006 93445625 (6AH),2007 93445633 (7AH),2008 93803980 (8AH),2009 94665642 (9AH),0000 94666417 (10AH),

RPO DEFINITIONS

LG9 - ENGINE,350 C.I.D.(5.7D),V8,OEM DIRECT SALES(MARINE)