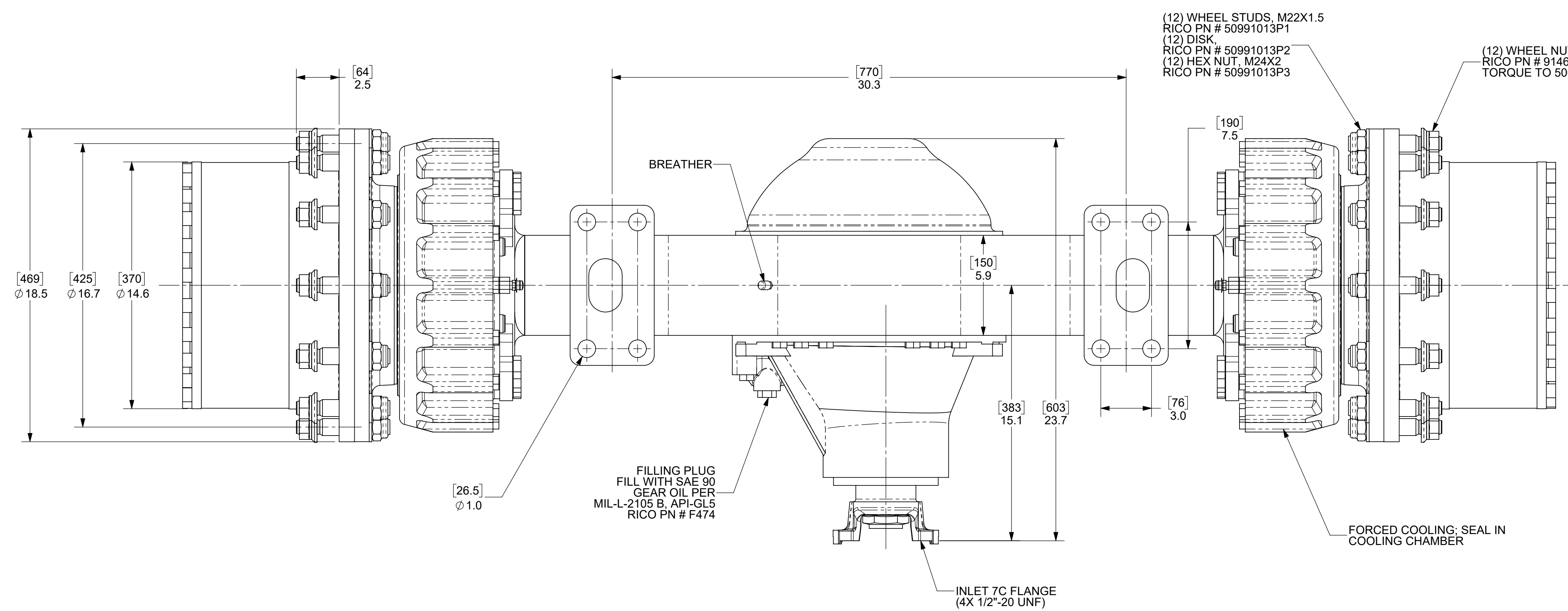
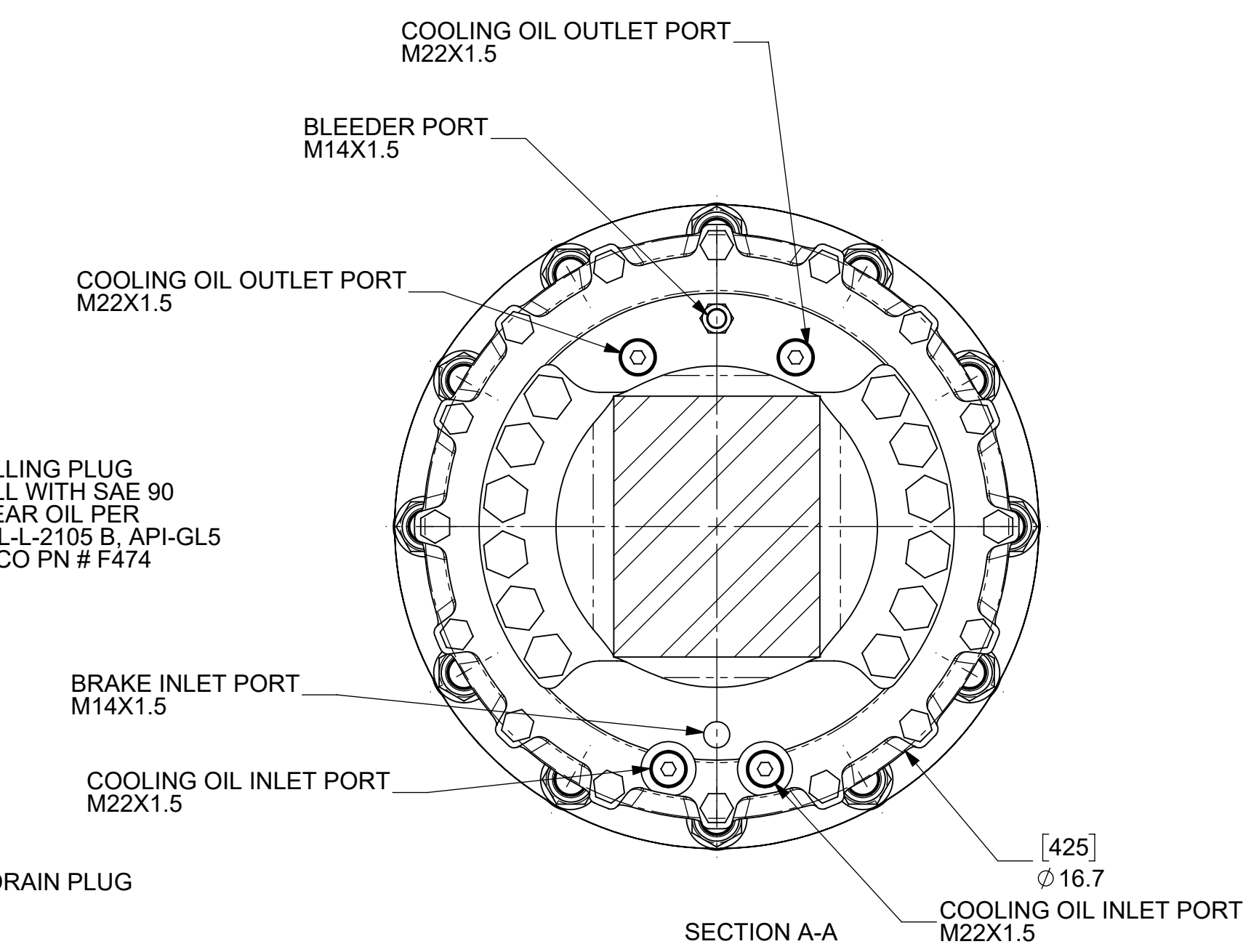
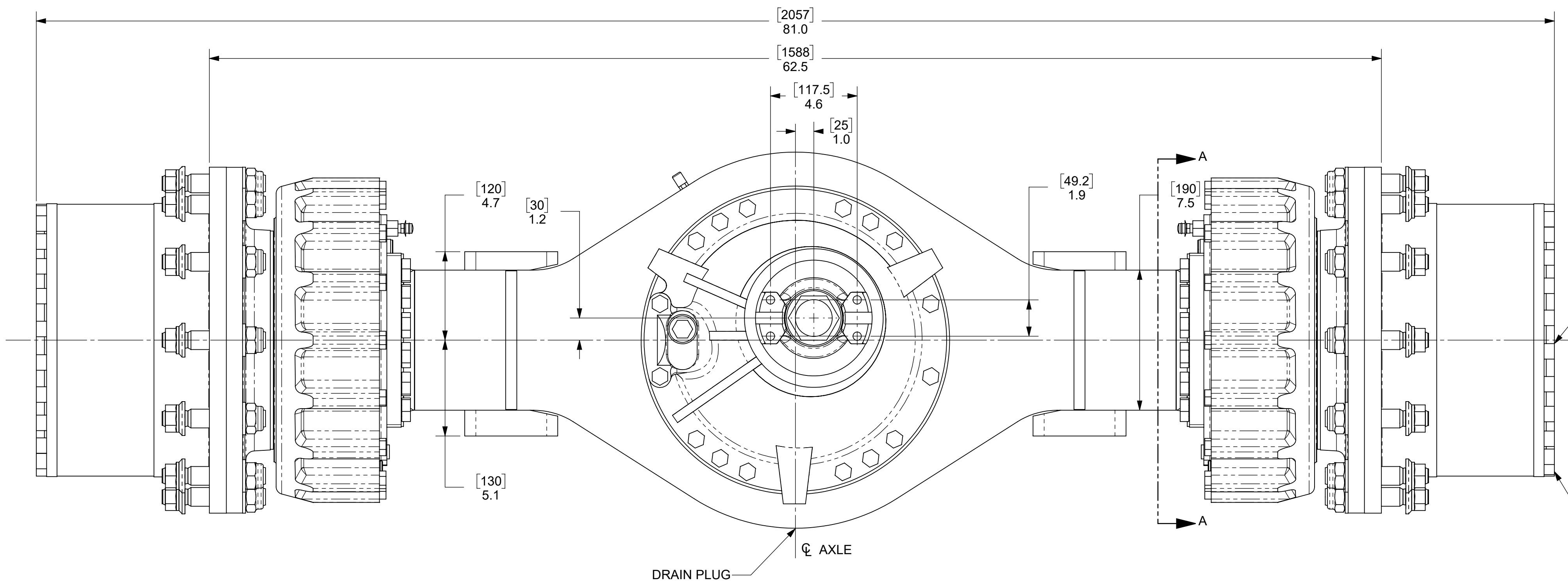


REVISIONS				
ZONE	REV	DESCRIPTION	DATE	APPROVED



SPECIFICATIONS:
MANUFACTURER: KESSLER & CO.
MANUFACTURER PART NUMBER: 82.8348.3A
DESCRIPTION: DRIVE AXLE D81PL489-NLB

MAX AXLE LOAD AT 9 MPH = 92,171 LBS (410,000 N)
MAX STATIC AXLE LOAD = 112,404 LBS (500,000 N)
MAX BRAKING TORQUE PER HUB END = 28,322 FT-LB (38,400 NM)

- THESE AXLES USE THE FOLLOWING KESSLER DATA SHEETS:**
1. WN63233: DISC BRAKE NLB6340
 2. WN85601: NLB PERMISSIBLE OIL
 3. WN85602: NLB PERMISSIBLE OIL
 4. WN17005: USAGE OF AXLES WITH WET BRAKES
 5. WN85603: BRAKE NOISE PREVENTION

UOS, DIM ARE IN INCHES. .X ±.1 .XX ±.04 .XXX ±.010 ANGULAR ±1° INTERPRET DIM AND TOL PER ASME Y14.5-2009.	THIS DOCUMENT CONTAINS PROPRIETARY INFORMATION AND NEITHER IT NOR THE INFORMATION CONTAINED THEREIN SHALL BE DISCLOSED OR DUPLICATED WITHOUT THE EXPRESS WRITTEN CONSENT OF BPR/RICO MFG, INC.		MFG PROCESS PURCH TEMPL FOR GENERAL MFG PROCESSES		TITLE DRIVE AXLE
	THIRD ANGLE PROJECTION	DRAWN BY ELL	ENGINEER ZN		
	9/16/2020	9/16/2020	SCALE 1:4	WEIGHT 1712.8 LB	