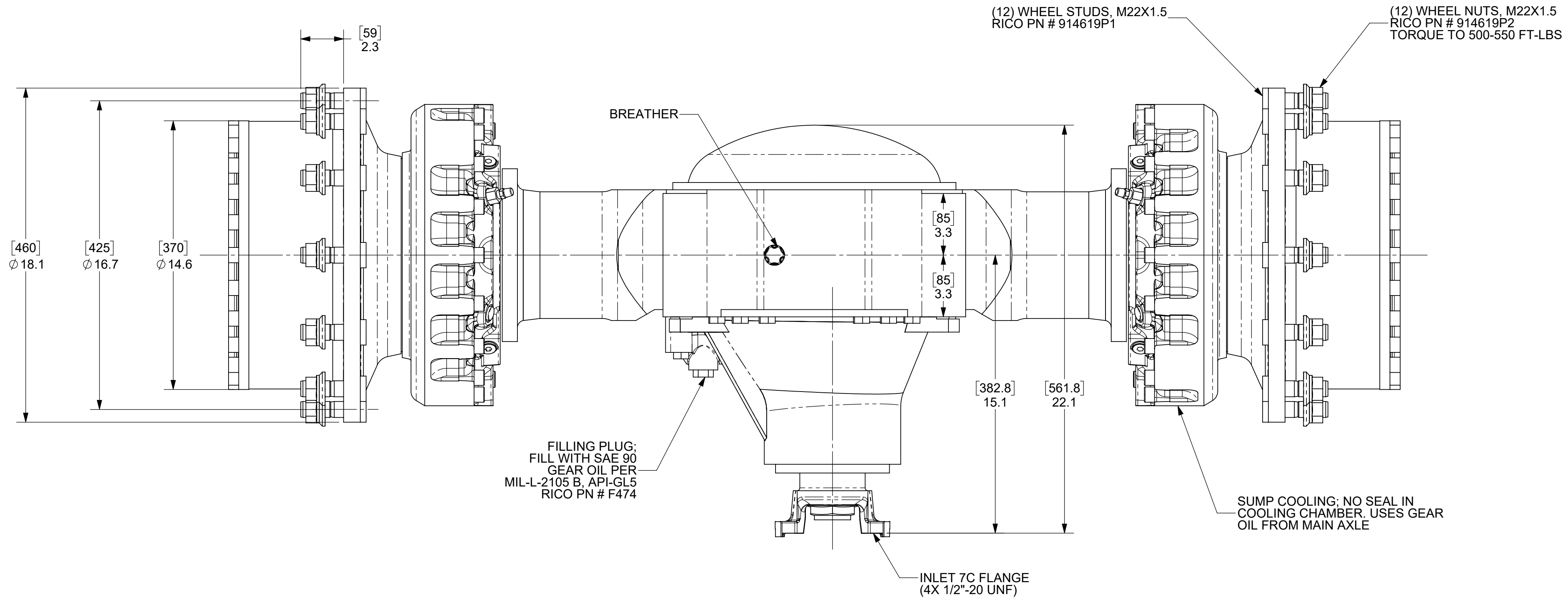
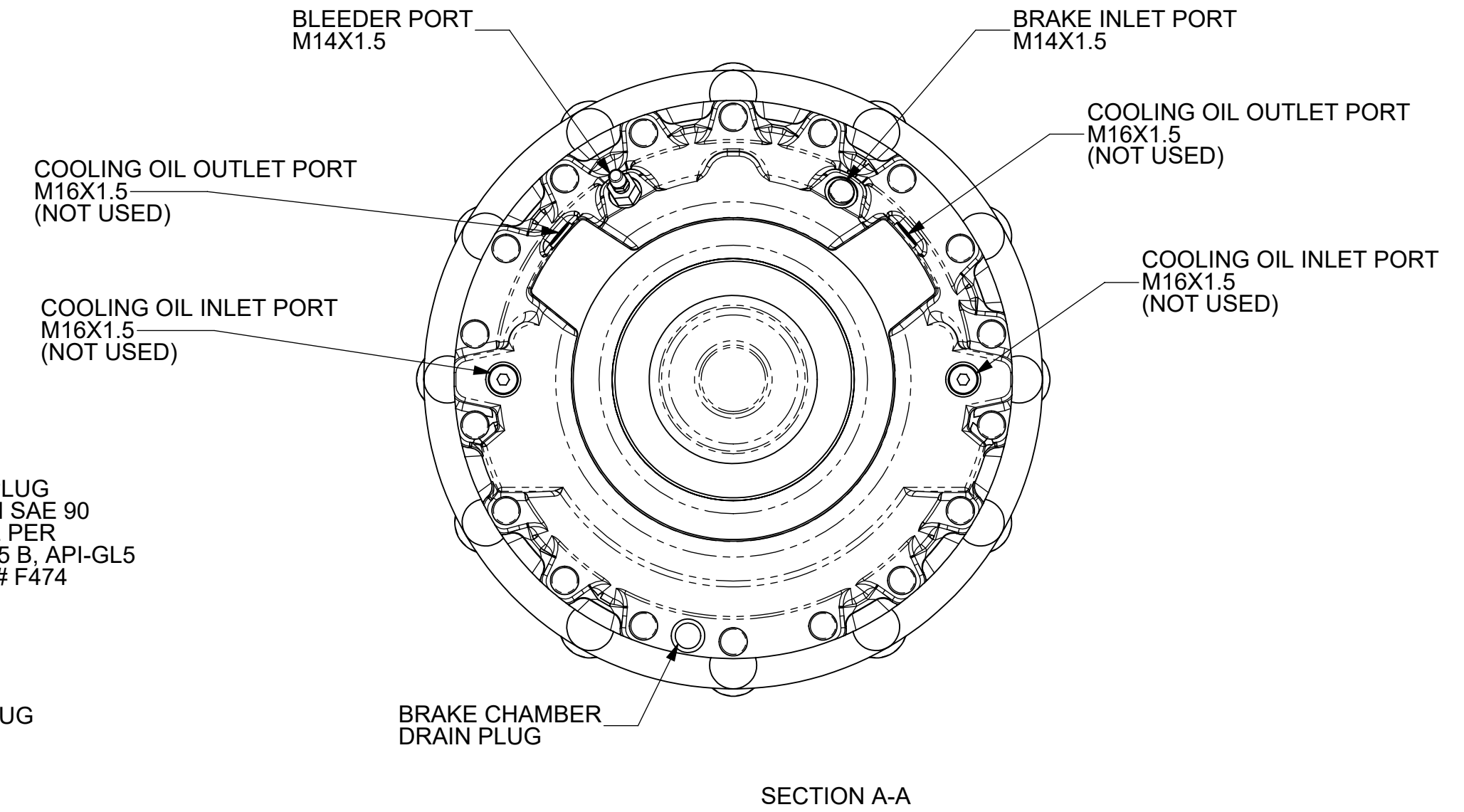
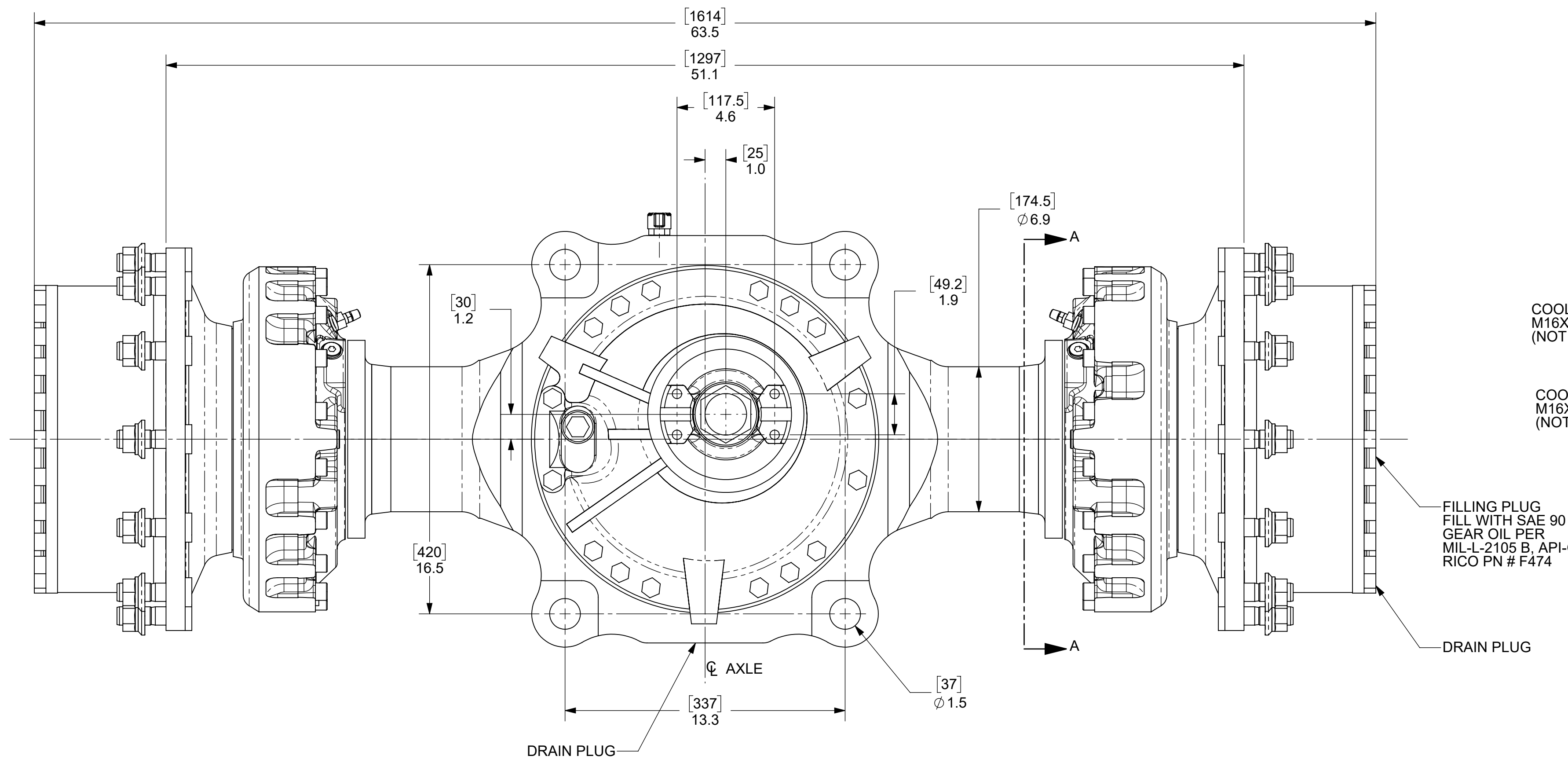


REVISIONS				
ZONE	REV	DESCRIPTION	DATE	APPROVED
A3	A	ADDED SUMP COOLING NOTE	7/13/2016	MB



SPECIFICATIONS:
MANUFACTURER: KESSLER & CO.
MANUFACTURER PART NUMBER: 82.7329.3B
DESCRIPTION: DRIVE AXLE D81PL489-NLB

MAX AXLE LOAD AT 9 MPH = 67,442 LBS (300,000 N)
MAX STATIC AXLE LOAD = 112,404 LBS (500,000 N)
MAX BRAKING TORQUE PER HUB END = 12,907 FT-LB (17,500 NM)

- THESE AXLES USE THE FOLLOWING KESSLER DATA SHEETS:
- WN63270: DISC BRAKE NLB3340-3
 - WN85601: NLB PERMISSIBLE OIL
 - WN85602: NLB PERMISSIBLE OIL
 - WN17005: USAGE OF AXLES WITH WET BRAKES
 - WN85603: BRAKE NOISE PREVENTION

NOTE: THE SEAL(S) SEPERATING THE BRAKE CHAMBER FROM THE MAIN AXLE CHAMBER HAVE BEEN REMOVED. THEREFORE, THIS AXLE IS STRICTLY A "SUMP COOLING" AXLE ONLY, AND CAN NOT HAVE FORCE COOLING. THE COOLING PORTS ON THE AXLE CAN NOT BE USED.

UOS, DIM ARE IN INCHES. .X ±.1 .XX ±.04 .XXX ±.010 ANGULAR ±1° INTERPRET DIM AND TOL PER ASME Y14.5-2009.	THIS DOCUMENT CONTAINS PROPRIETARY INFORMATION AND NEITHER IT NOR THE INFORMATION CONTAINED THEREIN SHALL BE DISCLOSED OR DUPLICATED WITHOUT THE EXPRESS WRITTEN CONSENT OF BPR/RICO MFG, INC.		MFG PROCESS PURCH TEMPL FOR GENERAL MFG PROCESSES		DRIVE AXLE
	THIRD ANGLE PROJECTION 	DRAWN BY ELL	ENGINEER RLL		
	9/16/2020	9/16/2020	SCALE 1:4	WEIGHT 1200.0 LB	SHEET 10F1