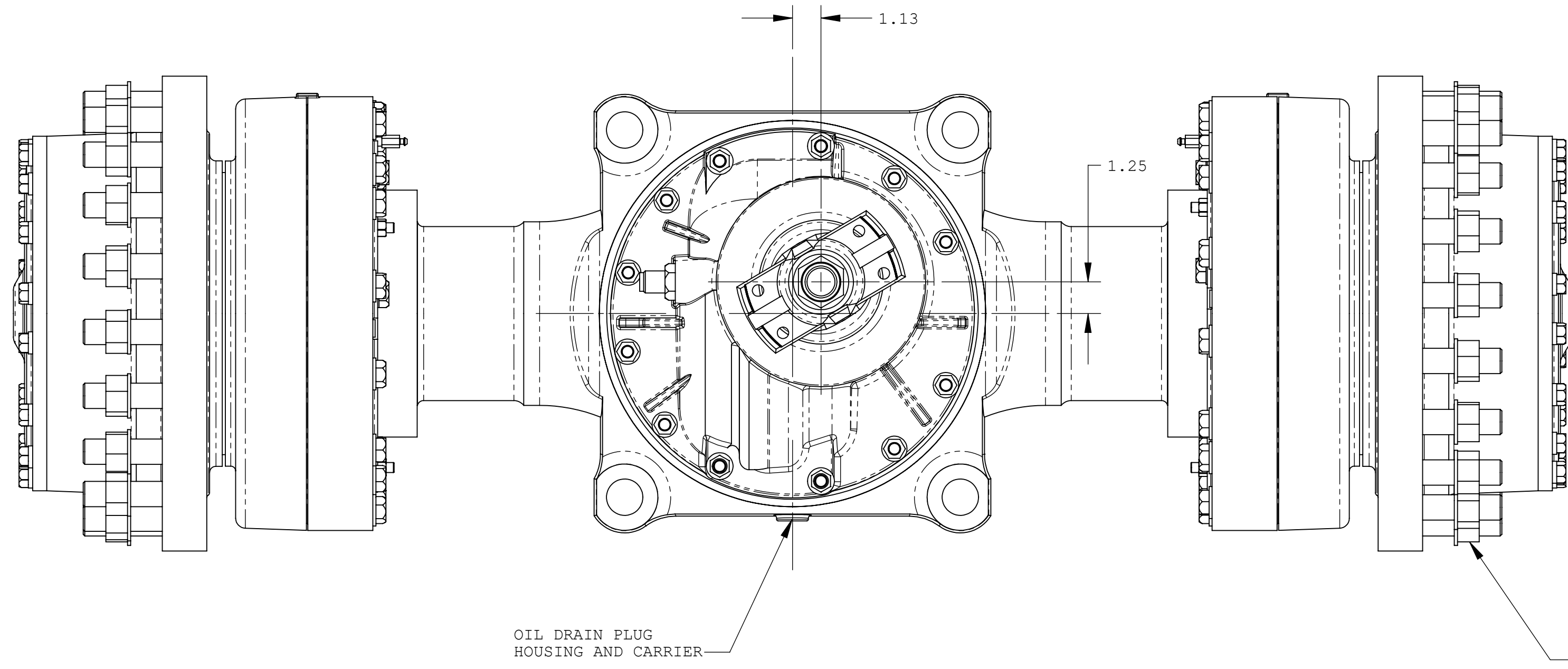
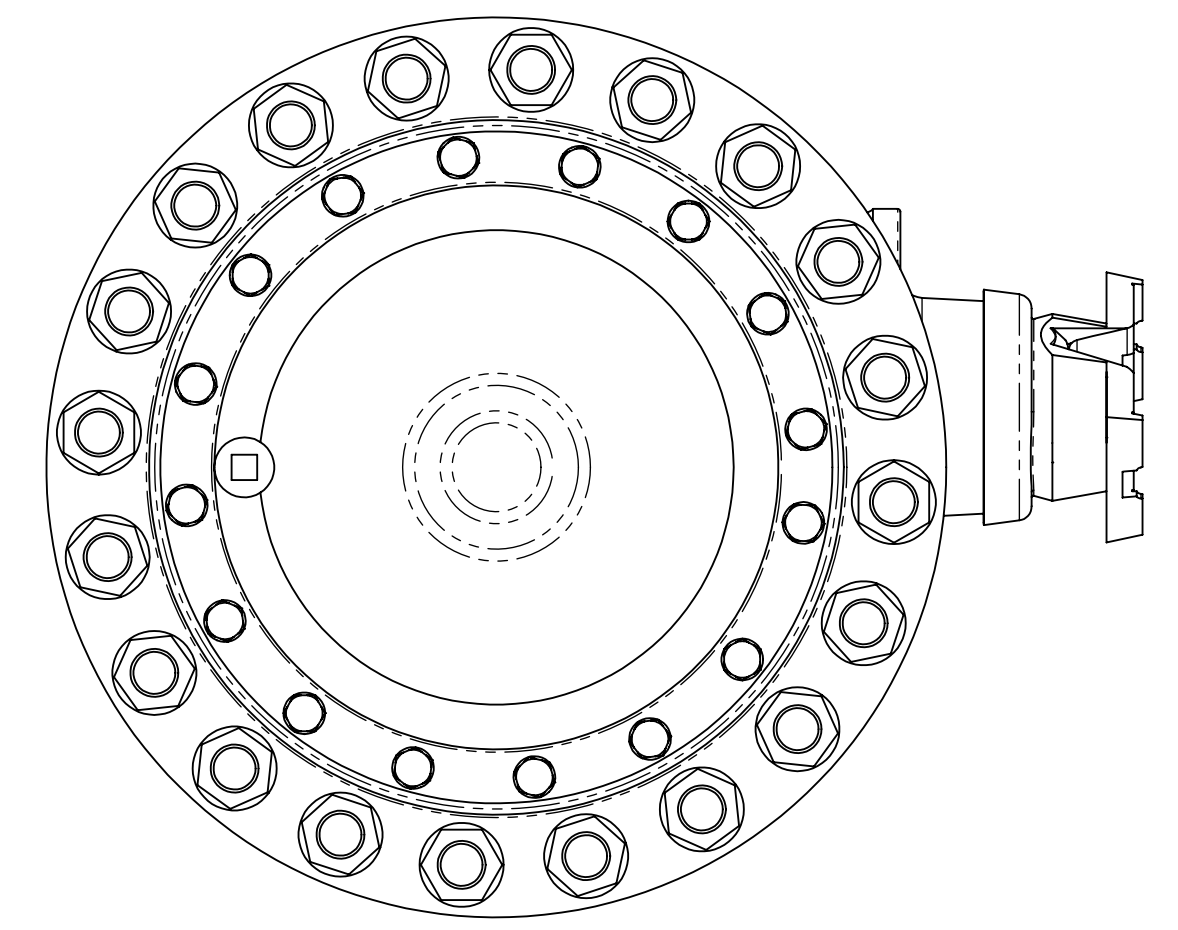
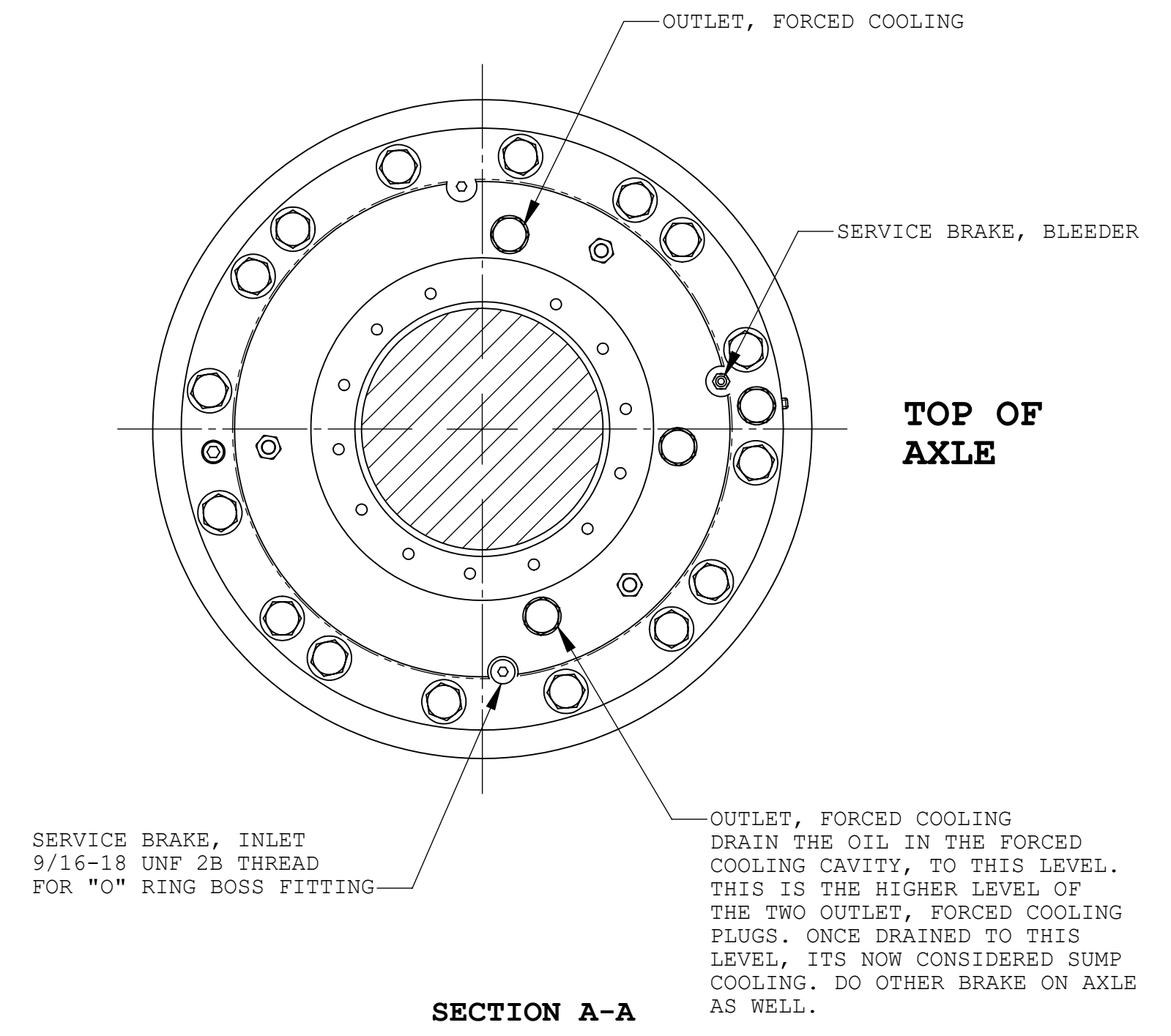
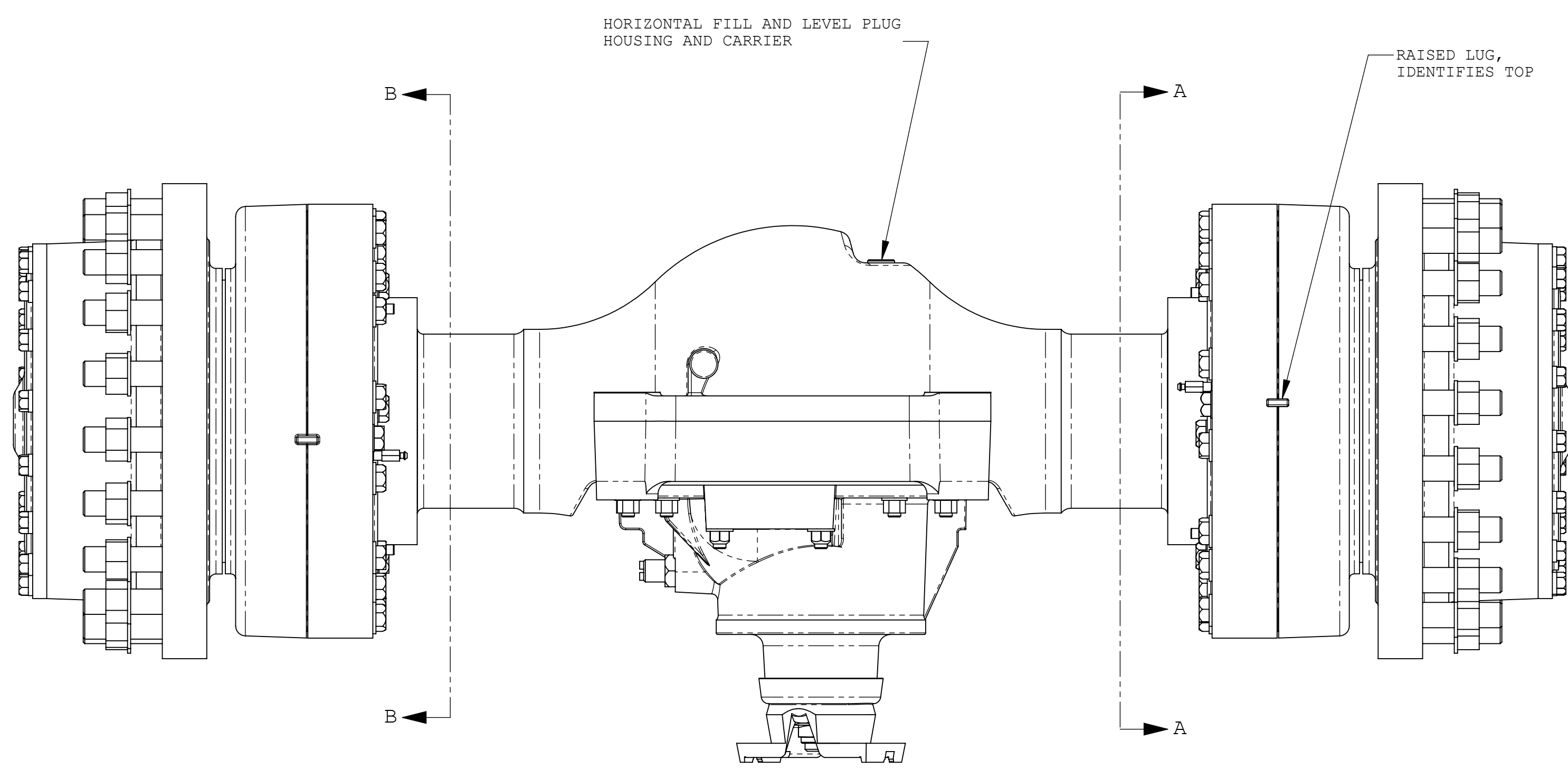
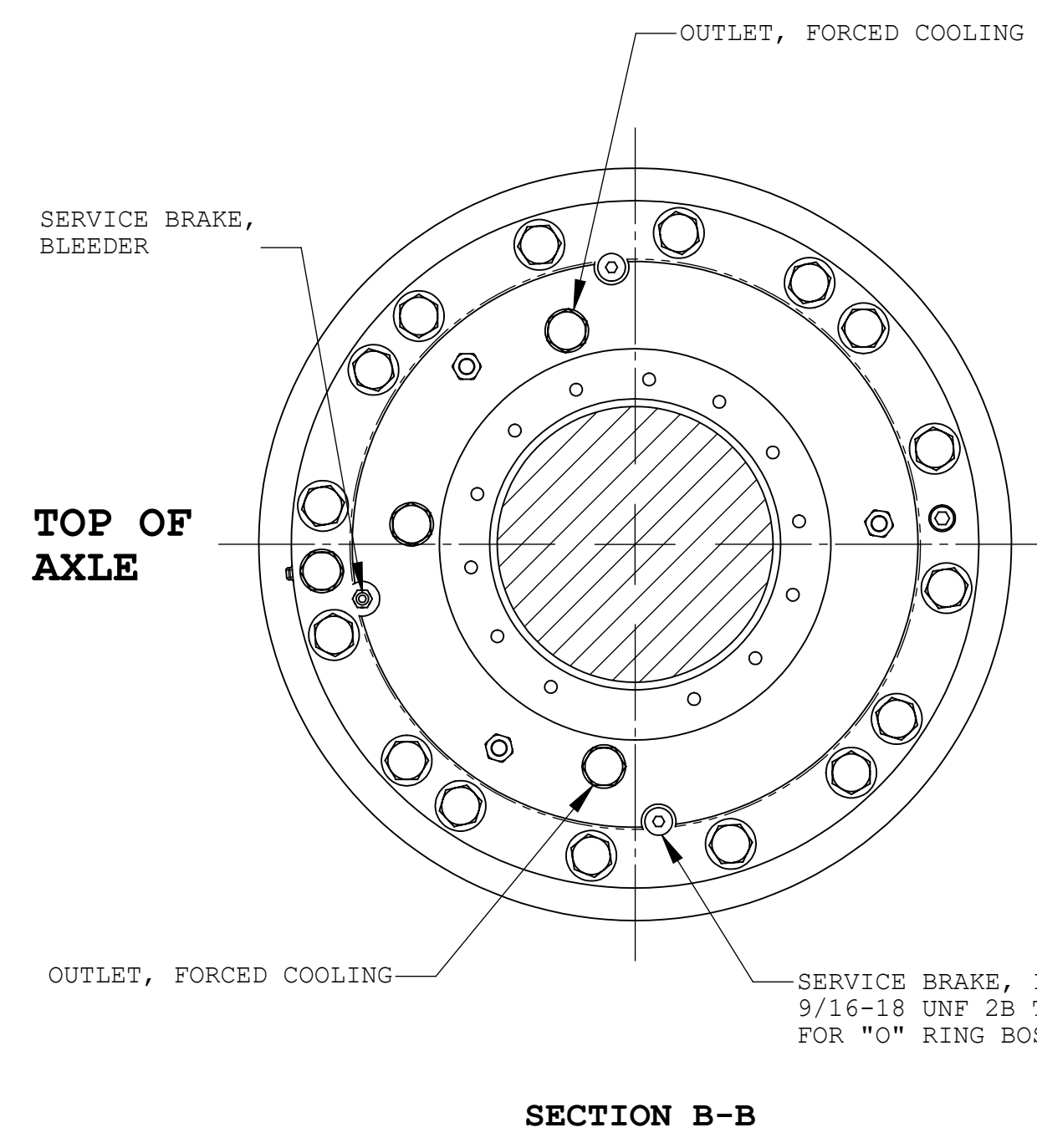


| REVISIONS | | | | |
|-----------|------|-------------|------|------|
| ZONE | REV. | DESCRIPTION | DATE | APPV |
| | | | | |
| | | | | |



| ITEM | QTY | DRAWING NO. | DESCRIPTION |
|------|-----|-------------|-------------|
| 1 | 1 | | |

This drawing contains proprietary information. This drawing or any part of it shall not be reproduced in any manner except as authorized in writing.

RICO

PLANETARY DRIVE AXLE ASSY

SIZE: B
ANGULAR ±1°

DATE: 09/16/2020

SHEET 1 OF 1