



RICO Model # DSD-EX-AC-60

EX-60

Sit Down Counterbalanced Explosion Proof Forklift

APPROVED FOR OPERATION IN:

- Class 1, Division 1 & 2, Group D
- Class 2, Division 1 & 2, Group G
- Hazardous Environment

Mineral Insulated (MI) Cables



For more information, or to find
your nearest RICO® dealer, go to:
www.RICOequipment.com

RICO

Since 1984 RICO Manufacturing has been designing and manufacturing specialized lift trucks for the most rigorous and demanding industries around the globe.

RICO's hazardous products division continues to be the leading manufacturer of Explosion Proof equipment and forklifts in the United States.

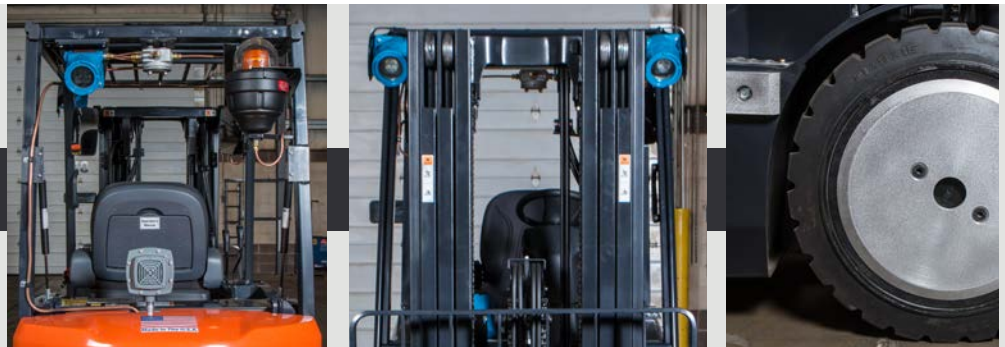
RICO's standard for excellence in design, manufacturing and installation results in the best EX-rated lift trucks on the market today. All of our explosion-proof lift trucks are designed around operator visibility, friendly maintenance and outstanding parts/service support.



98%
WORK PERFORMED
IN-HOUSE

\$
FINANCIALLY
INDEPENDENT

SAFETY FEATURES



Safety is a critical focus for every successful organization – forklift safety starts with RICO.



STATIC CONDUCTIVE STEER TIRES

Prevent sparks, helping to provide a working environment with reduced peril and hazardous conditions.



PROTECTED SURFACES

Exposed components on the perimeter of the truck, including forks, are protected with brass and aluminum alloys eliminating the possibility of mechanical sparking.



RIGOROUS TESTING

Built to UL583 specifications, and approved by FM Global, a Nationally Recognized Testing Laboratory.



OUTSTANDING VISIBILITY

Excellent visibility helps increase operator awareness.



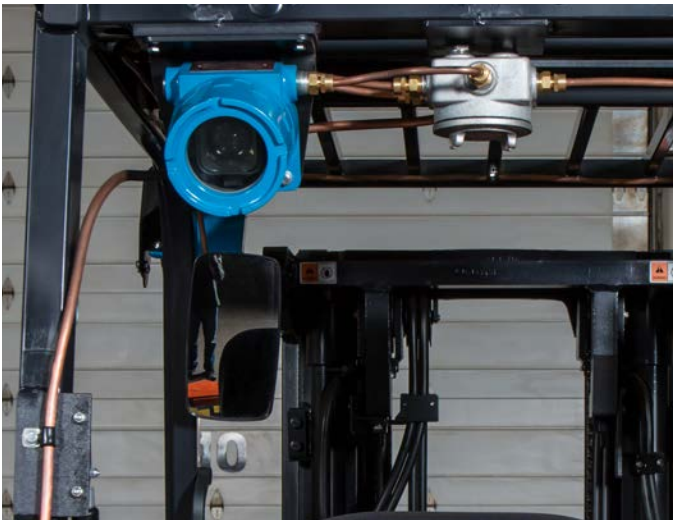
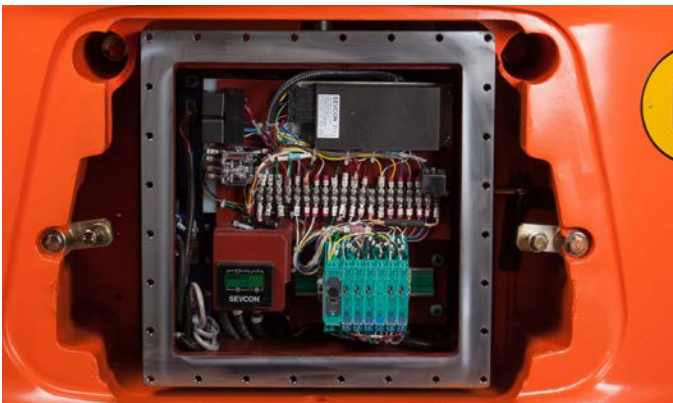
LIGHTING

Additional packages for LED work lights, blue pedestrian light and LED strobe light are available.



Choose RICO for exceptional performance and explosion proof features.

DRIVE, PUMP AND ELECTRICAL ENCLOSURES house only electrical components and are approved to be included on EX-rated lift trucks. All RICO enclosures have been tested for approval in an EX-rated environment by FM Global.



MINERAL INSULATED CABLES designed to meet needs of non-combustible, heat and water resistant cable. Made of highly compressed mineral. The cables are sealed in a seamless copper tube, ensuring safety, making them liquid and gas tight. MI cabling provides flexibility and space saving.

FEATURES & BENEFITS

EX-60

RICO Model # DSD-EX-AC-60



EASE OF MAINTENANCE

Easy access to serviceable components.



STURDY CONSTRUCTION

All steel constructed chassis for superior strength.



INVENTORY CONTROL

Industry standard components for local servicing and dealer sourcing.



EXCEPTIONAL SAFETY

Intrinsically safe wiring that limits both electrical and thermal energy.



APPROVED FOR OPERATION IN:

- Class 1, Division 1 & 2, Group D
- Class 2, Division 1 & 2, Group G
- Hazardous Environment

REPAIR KITS

RICO introduces **repair kits** designed specifically for the **DSD-EX-AC-60** Sit Down Counterbalanced Explosion Proof Lift Truck to support preventive, regular use maintenance and repairs throughout the life of your vehicle.

- 1 Intrinsic Safety (IS) Repair Kit** (Part Number: 22-003098-SA)
Kit includes components such as the IS wireway, limit switches, and microswitches to be able to repair and maintain the intrinsically safe components and circuits to ensure safety and compliancy.
- 2 Control Enclosure Rewire Kit** (Part Number: 22-003099-SA)
Kit includes components such as the controller harness, panel harness, and primary cable group to repair components and wiring in the electrical enclosure and ensure the unit is using OE and high quality components to maintain continued operation and safety.
- 3 Hydraulics Kit** (Part Number: 22-003110-SA)
Comprehensive repair kit includes both seal kits for every cylinder on the unit, as well as a hydraulic filter to service the hydraulic system, in one complete set to minimize downtime.
- 4 Light Kit** (Part Number: 22-003100-SA)
Kit includes the blue light, head light, and the enclosures for both lights to be able to maintain the units lighting system and ensure the unit is meeting safety standards and EX compliancy.
- 5 Electrical Repair Kit** (Part Number: 22-003101-SA)
Kit includes OE and other high quality components such as relays, EX barriers, and resistors to replace and repair components on the electrical panel to ensure EX compliancy and safety.
- 6 Graphics Replacement Kit** (Part Number: 22-003102-SA)
Pack of non-EX compliance truck labels that are frequently worn, torn or misplaced during standard operation.
- 7 Tag Replacement Kit** (Part Number: 22-003103-SA)
Pack of EX compliance truck labels that are frequently worn, torn or misplaced during standard operation.
- 8 Mineral Insulated (MI) Cable Kit** (Part Number: 22-003104-SA)
Kit includes complete set of MI cables for this specific model truck; BDI, Junction box, and all light options to ensure EX compliancy of the hazardous wiring.
- 9 Control Enclosure Hardware Kit** (Part Number: 22-003105-SA)
Kit includes complete set of hardware for the electrical control enclosure to ensure the correct bolts are readily available with clean threads to ensure safety, flame path, and eliminate damage to the enclosure.
- 10 Traction Motor Hardware Kit** (Part Number: 22-003106-SA)
Kit includes complete set of hardware for the traction enclosure to ensure the correct bolt are readily available with clean threads to ensure safety, flame path, and eliminate damage to the enclosure.
- 11 Pump Motor Hardware Kit** (Part Number: 22-003107-SA)
Kit includes complete set of hardware for the pump enclosure to ensure the correct bolts are readily available with clean threads to ensure safety, flame path, and eliminate damage to the enclosure.

Be your customer's
first call

Build your parts inventory with OEM
repair kits developed specifically to
support RICO custom lift trucks

THIS IS THE **RICO** ADVANTAGE!

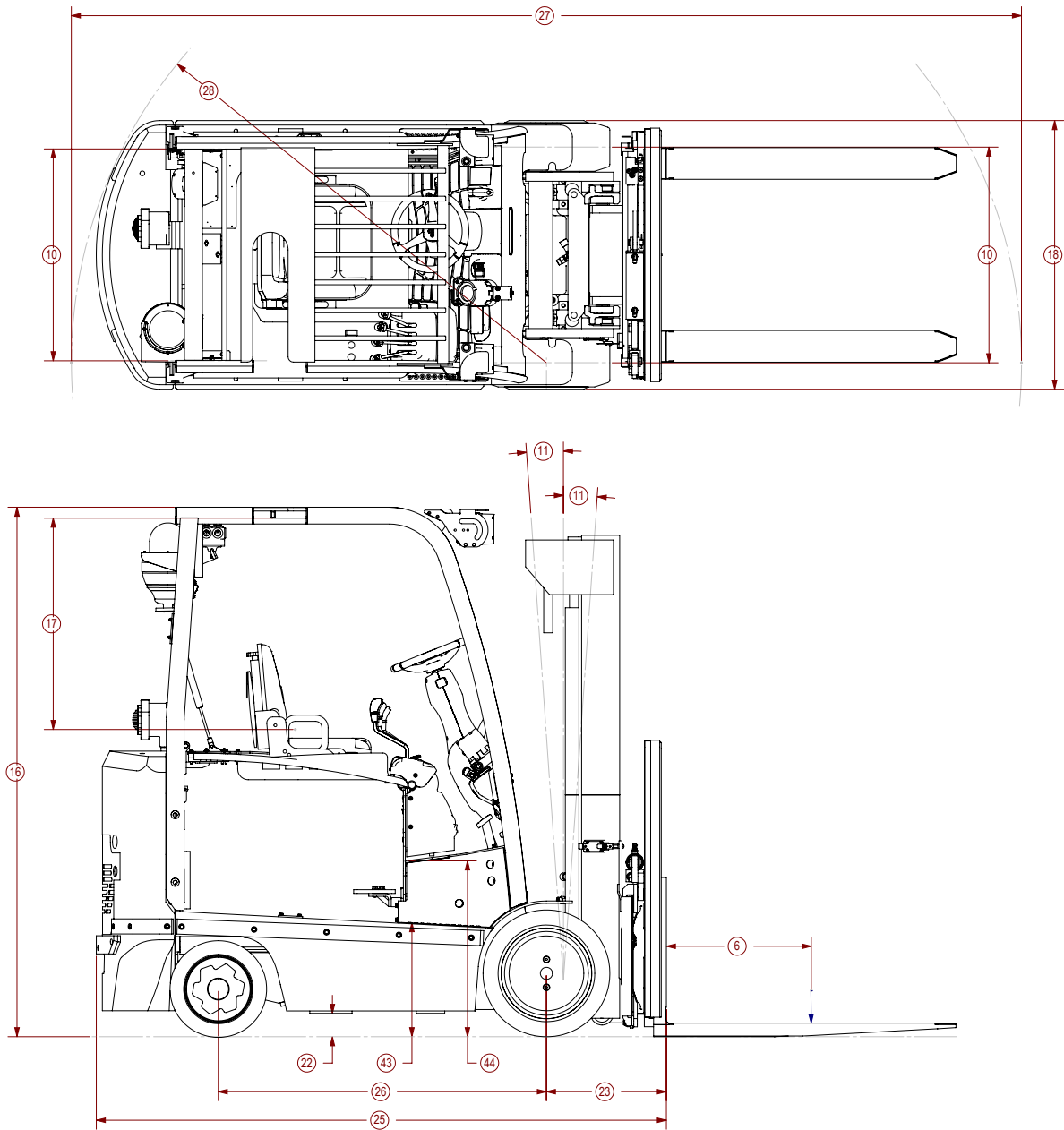


- Increase customer response time
- Reduce customer downtime
- Avoid risk of supply shortages and backorders
- Improve customer satisfaction
- Reduce maintenance time
- Protect against rising costs
- Avoid expediting fees
- Confidence in having the right parts and tools for your truck
- Complete kits for plug-n-play quick repairs
- OE components



Take advantage of our lowest price and fastest lead times —
add repair kits to your PO at the time of order and we will ship your repair kits with your truck!

SPECIFICATIONS



GENERAL

1	Manufacturer			RICO
2	Model Designation			DSD-EX-AC-60
3	Power			Electric
4	Operation			Sit
5	Rated Capacity		lb (kg)	6,000 (2,721)
6	Load Center		in (mm)	24 (610)

TIRES

7	Tire Type - Cushion, Solid, Pneumatic, etc.		Drive / Steer		Cushion / Cushion
8	Tire Size	Std	Drive / Steer	in	21 x 8 x 15 / 16 x 6 x 10.5
		Lugged Drive	Drive / Steer	in	21 x 8 x 15 / 16 x 6 x 10.5
9	Wheels - Number	X=Driven	Drive / Steer		2X / 2
10	Tread - Drive	Center of Tires	Narrow	in (mm)	35.7 (907)
		Center of Tires	Wide	in (mm)	37.2 (945)
	Tread - Steer	Center of Tires		in (mm)	35 (889)



DIMENSIONS

11	Mast Tilt	Std		degrees	3F / 5B
15	Mast - Extended Height	Std Mast with / without LBR		in (mm)	199.2 (5,060) / 176.4 (4,480)
16	Overhead Guard Height	Std		in (mm)	87.8 (2,230)
17	SIP to Underside OHG	Susp at Mid-Point		in (mm)	35 (889)
18	Overall Width	Narrow		in (mm)	44.5 (1,130)
		Wide		in (mm)	47.5 (1,207)
19	Forks	Thickness x Width x Length		in (mm)	2.25 x 5.25 x 48 (57 x 133 x 1,219)
20	Standard Carriage Width	Class III		in (mm)	40.5 (1,029)
21	Floor to Top of Battery Riser			in (mm)	18.3 (465)
22	Ground Clearance			in (mm)	4 (102)
23	Load Distance	Center of Wheel to Face of Forks		in (mm)	16.1 (409)
24	Battery Compartment	Height		in (mm)	23.7 (602)
		Width		in (mm)	40.0 (1,016)
		Length		in (mm)	35.3 (897)
25	Length to Face of Forks	Chassis Length		in (mm)	93.8 (2,383)
26	Wheelbase			in (mm)	54.3 (1,380)
27	Right Angle Stack	with 40" x 48" Pallet		in (mm)	154.8 (3,932)
28	Outside Turning Radius			in (mm)	80.1 (2,035)

WEIGHT

29	Truck Weight	Without Battery	NL	lb (kg)	9,200 (4,173)
30	Axle Loading - Drive	Static with Max. Wt. Battery	NL / RL	lb (kg)	5,060 (2,295) / 15,470 (7,018)
31	Axle Loading - Steer	Static with Max. Wt. Battery	NL / RL	lb (kg)	7,150 (3,243) / 2,730 (1,238)

PERFORMANCE

				VOLTS	36
32	Travel Speed			mph (km / h)	4.5 (7.2)
33	Lift Speed	Opt 2 Stg FFL Mast	NL / RL	ft/min (m / sec)	18.9 (.1) / 16.7 (.08)
		Opt 3 Stg FFL Mast	NL / RL	ft/min (m / sec)	27 (.14) / 25 (.13)
34	Lower Speed	Opt 2 Stg FFL Mast	NL / RL	ft/min (m / sec)	31.4 (.16) / 32.7 (.17)
		Opt 3 Stg FFL Mast	NL / RL	ft/min (m / sec)	30.5 (.15) / 31.5 (.16)
35	Gradeability			%	3
36	Brake	Method of Control	Service / Parking		Hydraulic / Mechanical
		Method of Operation	Service / Parking		Foot / Foot

ELECTRIC

37	Battery	Type			Lead Acid
38	Traction Motor	S3-15%		hp (kW)	32.2 (24)
39	Pump Motor	S3-15%		hp (kW)	8.7 (6.5)
40	Traction Motor	Type / Control Method			AC / Transistor
41	Pump Motor	Type / Control Method			AC / Transistor
42	Number of Speeds	Traction / Pump			Infinitely Variable / 1

OTHER

43	Step Height			in (mm)	18.8 (477)
44	Floor Height	Lowest Point		in (mm)	29.1 (739)
45	Attachment Relief Pressure	Mech Levers		psi (bar)	1,900 (131)

MASTS

		2 stage		3 stage			4 stage	
Mast- Lowered Height	in (mm)	83 (2,108)		83 (2,108)	97 (2,464)	103 (2,616)	95 (2,413)	
Free Lift – Top of Fork	in (mm)	63 (1,600)		63 (1,600)	77 (1,956)	83 (2,108)	48 (1,219)	
Lift Height – Top of Fork	in (mm)	127 (3,226)		186* (4,724)	219 (5,562)	237 (6,020)	276 (7,010)**	

BATTERY AND COMPARTMENT SPECIFICATIONS

Battery Compartment Dimensions				Battery Dimensions and Specifications									
Compartment Type	Width	Length	Height	"X"		"Y"		"Z"	Volts	No. of Cells	Max Capacity 6 Hour Rate	Weight	
				Min	Max	Min	Max					Min	Max
	in (mm)			in (mm)						amp hr (kwh)	lb (kg)		
Vertical Removal (Battery Rollers)	40.00 (1,016)	35.3 (897)	23 (602)	34.5 (876)	34.8 (882)	39 (990)	39.3 (997)	23.4 (594)	36	18	990 (35.6)	2,600 (1,179)	3,000 (1,360)

*Standard fork height
**Wide chassis

Note: Specifications included in the tables above are subject to change.

SERVICES & SUPPORT

At RICO, we know that once a lift truck ships, the real work is just beginning.



RICO products are fully supported throughout their service life by a team of dedicated experts who are true business partners.



RICO offers EX compliance evaluations and services on all RICO manufactured trucks.

On-site evaluations can be performed by RICO or one of our factory-trained authorized servicing dealers.



RICO provides our customers with the education and tools to evaluate and assess EX trucks in the field to determine whether they are still within compliance.

ROI

Extend the return on investment of your vehicle and help increase the safety of your team and your facility — schedule an EX compliance evaluation or EX training today.



Join the Conversation



RICO is American
Owned & Operated

RICO Manufacturing, Inc.
691 West Liberty Street
Medina, OH 44256
330.723.4050
www.RICOequipment.com

RICO