

GENERAL	1	Manufacturer			RICO Manufacturing		
	2	Model Design			HSD-EX-60		
	3	Power			Electric		
	4	Operation			Sit		
	5	Rated Capacity		lb (kg)	6000 (2722)		
	6	Load Center		in (mm)	24 (610)		
TIRES	7	Tire Type - Cushion, Solid, Pneumatic, etc.	Drive/Steer		Cushion / Cushion		
	8	Tire Size	Drive/Steer	in	21 x 8 x 15 / 16 x 6 x 10.5		
	9	Wheels - Number	X=Driven	Drive/Steer		2X / 2	
	10	Tread	φ Tires	Std Dr/Wide Dr/Steer	in (mm)	35.6/40.9/36 (905/1039/915)	
DIMENSIONS	11	Mast Tilt		Std Opt Opt	degrees	5F/5B 10F/5B (5F/4B)	
	12	Mast - Lowered Height		Std Mast	in (mm)	83 (2085)	
	13	Free Lift - Top of Fork		Std 2 Stg Limited Free Lift Mast	in (mm)	5 (140)	
	14	Opt 2 Stg Full Free Lift Mast with/without LBR			in (mm)	33/56 (855/1440)	
	15	Lift Height-Top of Fork		Std 2 Stg Limited Free Lift Mast	in (mm)	118 (3009)	
	16	Mast - Extended Height		Std Mast with/without LBR	in (mm)	167/144 (4235/3655)	
	17	Overhead Guard Height		Std/Drive in Rack/Opt/Opt Flat Plate	in (mm)	88.5/88.5/86.5/84.1 (2248/2248/2197/2137)	
	18	SIP to Bottom Std OHG		Susp at Mid-Point Std/Susp/Swivel	in (mm)	38.3/37.4/37.3 (975/950/948)	
	19	Overall Width		Standard Tread/Wide Tread	in (mm)	43.6/48.9 (1108/1242)	
	20	Forks		Thickness x Width x Length	in (mm)	2 x 4.9 x 42 (50 x 125 x 1067)	
	21	Standard Carriage Width		Class II	in (mm)	38.5 (977)	
	22	Floor to Battery Compartment			in (mm)	17.2 (436)	
	23	Ground Clearance		Lowest Point	in (mm)	3.6/3.3 (91/85)	
	24	Ground Clearance		Center of Truck	in (mm)	3.7/3.6 (94/92)	
	25	Load Distance		Center of Wheel to Face of Forks	in (mm)	15.8 (402)	
	26	Battery Compartment		Height	in (mm)	20.75 (527.05)	
				Width	in (mm)	29.19 (741.43)	
				Nominal SIZE		33"	
				Length Actual	in (mm)	32.52 (826)	
	27	Length to Face of Forks		Chassis Length	in (mm)	87.3 (2218)	
	28	Wheelbase			in (mm)	54.2 (1377)	
	29	Right Angle Stack			in (mm)	140.0 (3555)	
	30	Equal Aisle		90° Intersecting Aisle	in (mm)	75.0 (1904)	
	31	Outside Turning Radius			in (mm)	76.1 (1934)	
	WT.	32	Truck Weight	Without Battery	NL	lb (kg)	945 (4289)
		33	Axle Loading - Drive	Static w/Max. Wt. Battery	NL/RL	lb (kg)	4700/15093 (2132/6846)
34		Axle Loading - Steer	Static w/Max. Wt. Battery	NL/RL	lb (kg)	6570/2177 (2980/987)	
PERFORMANCE					VOLTS	36v Standard Performance Only	
	35	Travel Speed		NL/RL	mph (km/h)	7.02/7.02 (11.3/11.3)	
	36	Lift Speed		3 Stg FFL Mast	NL/RL	ft/min (m/sec)	36/36 (.18/.18)
	37	Lower Speed		3 Stg FFL Mast	NL/RL	ft/min (m/sec)	79/104 (0.4/.53)
	38	Gradeability		5 Minute Rating	Max Grade	%	19
				60 Minute Rating	Max Grade	%	6
	39	Brake		Method of Control	Service/Parking		Hydraulic/Mechanical
			Method of Operation	Service/Parking		Foot/Foot	
	Battery		Type			Lead Acid	
ELECTRIC					VOLTS	36	
	40	Traction Motor		60 Minute Rating	hp (kW)	24.7 (18.4)	
	41	Pump Motor		15% Rating	hp (kW)	16.6 (12.4)	
	42	Traction Motor		Type/Control Method		AC / Transistor	
	43	Pump Motor		Type/Control Method		AC / Transistor	
44	Number of Speeds		Traction/Pump			Infinitely Variable / Infinitely Variable	
OTHER	45	Step Height			in (mm)	18.7 (475)	
	46	Floor Height		Lowest Point	in (mm)	30.4 (772)	
	47	Attachment Relief Pressure			psi (bar)	2250 (155)	
	48	Auxiliary Oil Flow		3rd and 4th Function	gal/min (l/min)	11 (40)	
	49	Sound Level		Measured per ANSI B56.11.5		dB (A)	60

EX-60

RICO
Lift Trucks

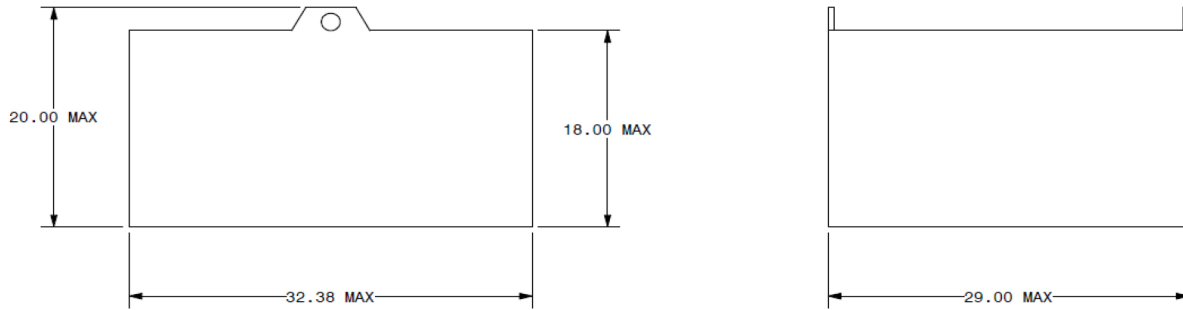
APPROVED FOR OPERATION IN
CLASS 1, DIVISION 1 & 2, GROUP D
CLASS 2, DIVISION 1 & 2, GROUP G
HAZARDOUS ENVIRONMENT



HSD-EX-60 BATTERY AND BATTERY COMPARTMENT SPECIFICATIONS

50	Battery Compartment	W/L/H	in (mm)	29.19 x 32.52 x 20.75 (741.43 x 826 x 527.05)
51	Battery Dimensions	W/L/H	in (mm)	29 x 32.38 x 20 (736.6 x 822.45 x 508)
			No. of Cells	18
52	Max Capacity 6 Hour Rate		amp hr (kwh)	675 (23.6)
52	Battery Weight	Min	lb (kg)	1710 (776)
		Max	lb (kg)	1890 (857)
54	Battery Information:	Modified EnerSys 18-E75L-19 or Similar / Reference# 510704L-WGRN / Modified to have lifting ears on the long side SB-350 Gray Connector / 675 AH / No Cover / 2/0 Cable Required / 36" Cable Leads / Termination Position B / UL E Rated		

BATTERY DIMENSION DRAWING



EX-60



APPROVED FOR OPERATION IN
CLASS 1, DIVISION 1 & 2, GROUP D
CLASS 2, DIVISION 1 & 2, GROUP G
HAZARDOUS ENVIRONMENT

For more information, or to find your nearest
Yale® dealer, go to Yale.com

RICO Manufacturing, Inc.
691 West Liberty Street
Medina, OH 44256
330-723-4050
RicoEquipment.com



RICO

Lift Trucks

